



DANTEC<sup>®</sup>  
HYDRAULICS



Beijing Dantec Hydraulic Co., Ltd

[sales@dantechyd.com](mailto:sales@dantechyd.com)  
[www.dantechyd.com](http://www.dantechyd.com)

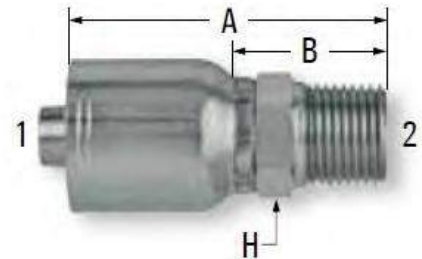
# DH43 Fittings

Crimp hose fittings for 1SN,2SN ,100R1AT,100R2AT,100R16,100R17

## DH43 -MP

**MALE PIPE RIGID**

Ref.Parker 10143



Part No.	1- Hose Bore			2- Thread	Dimensions		
	Size	Inch	DN		A(mm)	B(mm)	H(mm)
DH43-04-04MP	4	1/4"	6	1/4"-18	46	26	14.2
DH43-04-06MP	4	1/4"	6	3/8"-18	49	29	19
DH43-04-08MP	4	1/4"	6	1/2"-14	52	32	22.2
DH43-05-04MP	5	5/16"	8	1/4"-18	49	27	17.4
DH43-05-06MP	5	5/16"	8	3/8"-18	51	29	17.4
DH43-06-04MP	6	3/8"	10	1/4"-18	54	27	17.4
DH43-06-06MP	6	3/8"	10	3/8"-18	56	29	17.4
DH43-06-08MP	6	3/8"	10	1/2"-14	59	32	22.2
DH43-08-06MP	8	1/2"	12	3/8"-18	54	27	22.2
DH43-08-08MP	8	1/2"	12	1/2"-14	63	33	22.2
DH43-08-12MP	8	1/2"	12	3/4"-14	63	32	26.9
DH43-10-06MP	10	5/8"	16	3/8"-18	67	27	23.8
DH43-10-08MP	10	5/8"	16	1/2"-14	70	33	23.8
DH43-10-12MP	10	5/8"	16	3/4"-14	70	32	26.9
DH43-12-08MP	12	3/4"	20	1/2"-14	71	32	26.9
DH43-12-12MP	12	3/4"	20	3/4"-14	74	35	26.9
DH43-12-16MP	12	3/4"	20	1"-11.5	79	40	34.9
DH43-16-12MP	16	1"	25	3/4"-14	81	36	34.9
DH43-16-16MP	16	1"	25	1"-11.5	87	41	34.9
DH43-20-20MP	20	1.1/4"	32	1.1/4"-11.5	96	49	42.8
DH43-24-24MP	24	1.1/2"	40	1.1/2"-11.5	109	50	50.8
DH43-32-32MP	32	2"	50	2"-11.5	129	58	63.5

\*stainless steel

Add "SS" example: SS-DH43-04-04MP

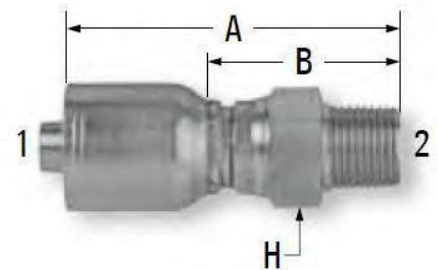
# DH43 Fittings

Crimp hose fittings for 1SN,2SN ,100R1AT,100R2AT,100R16,100R17

## DH43 -MPX

**MALE PIPE - SWIVEL**

Ref.Parker 11343



Part No.	1- Hose Bore			2- Thread	Dimensions		
	Size	Inch	DN		A(mm)	B(mm)	H(mm)
DH43-04-04MPX	4	1/4"	6	1/4"-18	58	37	17.4
DH43-04-06MPX	4	1/4"	6	3/8"-18	58	38	22.2
DH43-06-04MPX	6	3/8"	10	1/4"-18	67	40	17.4
DH43-06-06MPX	6	3/8"	10	3/8"-18	71	44	22.2
DH43-06-08MPX	6	3/8"	10	1/2"-14	76	49	25.4
DH43-08-06MPX	8	1/2"	12	3/8"-18	76	44	22.2
DH43-08-08MPX	8	1/2"	12	1/2"-14	80	49	25.4
DH43-08-12MPX	8	1/2"	12	3/4"-14	92	61	34.9
DH43-12-08MPX	12	3/4"	20	1/2"-14	88	49	25.4
DH43-12-12MPX	12	3/4"	20	3/4"-14	110	61	34.9
DH43-12-16MPX	12	3/4"	20	1"-11.5	112	73	38.1
DH43-16-12MPX	16	1"	25	3/4"-14	106	61	34.9
DH43-16-16MPX	16	1"	25	1"-11.5	118	73	38.1

\*stainless steel

Add "SS" example: SS-DH43-04-04MPX

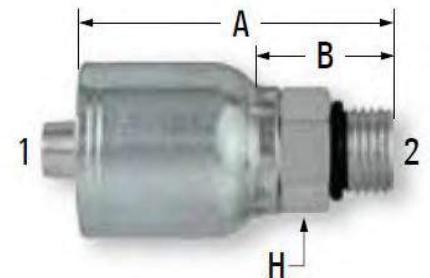
# DH43 Fittings

Crimp hose fittings for 1SN,2SN ,100R1AT,100R2AT,100R16,100R17

## DH43 -MB

**MALE O-RING BOSS - RIGID**

Ref.Parker 10543



Part No.	1- Hose Bore			2- Thread	Dimensions		
	Size	Inch	DN		A(mm)	B(mm)	H(mm)
DH43-04-04MB	4	1/4"	6	7/16"-20	43	22	14.2
DH43-04-06MB	4	1/4"	6	9/16"-18	46	25	17.4
DH43-06-06MB	6	3/8"	10	9/16"-18	52	25	17.4
DH43-06-08MB	6	3/8"	10	3/4"-16	52	25	22.2
DH43-08-08MB	8	1/2"	12	3/4"-16	57	25	26.9
DH43-08-10MB	8	1/2"	12	7/8"-14	58	26	25.4
DH43-10-10MB	10	5/8"	16	7/8"-14	65	26	25.4
DH43-10-12MB	10	5/8"	16	1.1/16"-12	69	30	31.7
DH43-12-12MB	12	3/4"	20	1.1/16"-12	70	30	31.7
DH43-12-14MB	12	3/4"	20	1.3/16"-12	73	33	34.9
DH43-16-16MB	16	1"	25	1.5/16"-12	78	33	38.1

\*stainless steel

Add "SS" example: SS-DH43-04-04MB

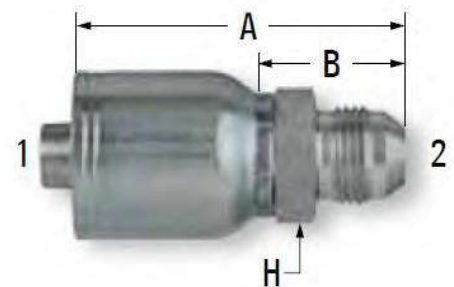
# DH43 Fittings

Crimp hose fittings for 1SN,2SN ,100R1AT,100R2AT,100R16,100R17

## DH43 -MJ

**MALE 37° JIC RIGID**

Ref.Parker 10343



Part No.	1- Hose Bore			2- Thread	Dimensions		
	Size	Inch	DN		A(mm)	B(mm)	H(mm)
DH43-04-04MJ	4	1/4"	6	7/16"-20	46	26	14.2
DH43-04-05MJ	4	1/4"	6	1/2"-20	46	26	14.2
DH43-04-06MJ	4	1/4"	6	9/16"-18	47	27	17.4
DH43-06-05MJ	6	3/8"	10	1/2"-20	54	27	19
DH43-06-06MJ	6	3/8"	10	9/16"-18	54	27	19
DH43-06-08MJ	6	3/8"	10	3/4"-16	57	30	22.2
DH43-06-10MJ	6	3/8"	10	7/8"-14	59	32	23.8
DH43-08-08MJ	8	1/2"	12	3/4"-16	61	30	22.2
DH43-08-10MJ	8	1/2"	12	7/8"-14	63	32	23.8
DH43-08-12MJ	8	1/2"	12	1.1/16"-12	69	38	28.5
DH43-10-10MJ	10	5/8"	16	7/8"-14	71	33	23.8
DH43-10-12MJ	10	5/8"	16	1.1/16"-12	76	38	28.5
DH43-12-12MJ	12	3/4"	20	1.1/16"-12	78	39	28.5
DH43-12-14MJ	12	3/4"	20	1.3/16"-12	79	40	31.7
DH43-12-16MJ	12	3/4"	20	1.5/16"-12	79	40	34.9
DH43-16-16MJ	16	1"	25	1.5/16"-12	85	40	34.9
DH43-20-20MJ	20	1.1/4"	32	1.5/8"-12	91	44	47.6
DH43-20-24MJ	20	1.1/4"	32	1.7/8"-12	102	48	50.8

\*stainless steel

Add "SS" example: SS-DH43-04-04MP

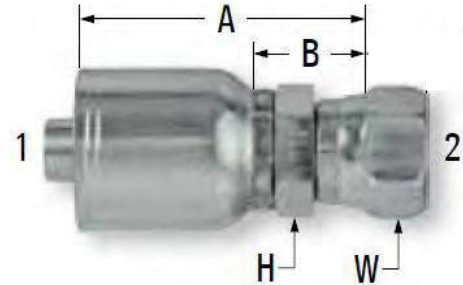
# DH43 Fittings

Crimp hose fittings for 1SN,2SN ,100R1AT,100R2AT,100R16,100R17

## DH43 -FJX

**FEMALE JIC - SWIVEL**

Ref.Parker 10643



Part No.	1- Hose Bore			2- Thread	W- HEX	Dimensions		
	Size	Inch	DN			A(mm)	B(mm)	H(mm)
DH43-04-04FJX	4	1/4"	6	7/16"-20	14.2	41	21	14.2
DH43-04-05FJX	4	1/4"	6	1/2"-20	14.2	42	22	14.2
DH43-04-06FJX	4	1/4"	6	9/16"-18	17.4	42	22	14.2
DH43-05-05FJX	5	5/16"	8	1/2"-20	14.2	44	22	17.4
DH43-05-06FJX	5	5/16"	8	9/16"-18	17.4	44	22	17.4
DH43-06-06FJX	6	3/8"	10	9/16"-18	17.4	50	23	17.4
DH43-06-08FJX	6	3/8"	10	3/4"-16	22.2	50	23	17.4
DH43-06-10FJX	6	3/8"	10	7/8"-14	25.4	50	23	22.2
DH43-08-08FJX	8	1/2"	12	3/4"-16	22.2	54	23	22.2
DH43-08-10FJX	8	1/2"	12	7/8"-14	25.4	55	24	22.2
DH43-10-10FJX	10	5/8"	16	7/8"-14	25.4	63	25	22.2
DH43-10-12FJX	10	5/8"	16	1.1/16"-12	31.7	65	27	26.9
DH43-12-12FJX	12	3/4"	20	1.1/16"-12	31.7	66	27	26.9
DH43-16-16FJX	16	1"	25	1.5/16"-12	34.9	78	33	38.1
DH43-16-20FJX	16	1"	25	1.5/8"-12	50.8	80	34	41.2
DH43-20-20FJX	20	1.1/4"	32	1.5/8"-12	50.8	82	35	47.6
DH43-24-24FJX	24	1.1/2"	40	1.7/8"-12	53.9	102	43	53.9
DH43-32-32FJX	32	2"	50	2.1/2"-12	73	126	55	63.5

\*stainless steel

Add "SS" example: SS-DH43-04-04FJX

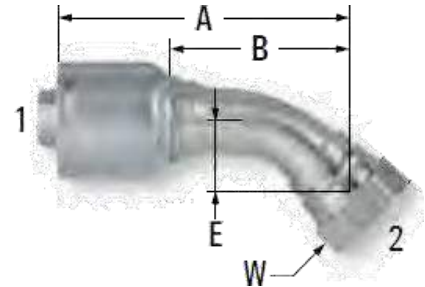
# DH43 Fittings

Crimp hose fittings for 1SN,2SN ,100R1AT,100R2AT,100R16,100R17

## DH43 -FJ4

**FEMALE JIC SWIVEL - 45° ELBOW**

Ref.Parker 13743 /1L743



Part No.	1- Hose Bore			2- Thread	W -NUT (mm)	Dimensions		
	Size	Inch	DN			A(mm)	B(mm)	E(mm)
DH43-04-04FJ4	4	1/4"	6	7/16"-20	14.2	55	34	
DH43-04-05FJ4	4	1/4"	6	1/2"-20	17.4	55	34	
DH43-04-06FJ4	4	1/4"	6	9/16"-18	17.4	56	35	
DH43-06-06FJ4	6	3/8"	10	9/16"-18	17.4	68	41	
DH43-06-08FJ4	6	3/8"	10	3/4"-16	22.2	68	41	
DH43-08-08FJ4	8	1/2"	12	3/4"-16	22.2	80	48	
DH43-08-10FJ4	8	1/2"	12	7/8"-18	25.4	80	48	
DH43-10-10FJ4	10	5/8"	16	7/8"-14	25.4	90	51	
DH43-10-12FJ4	10	5/8"	16	1.1/16"-12	31.7	90	51	
DH43-12-12FJ4	12	3/4"	20	1.1/16"-12	31.7	113	73	
DH43-16-16FJ4	16	1"	25	1.5/16"-12	63.5	122	77	
DH43-20-20FJ4	20	1.1/4"	32	1.5/8"-12	50.8	150	103	
DH43-24-24FJ4	24	1.1/2"	40	1.7/8"-12	53.9	175	115	
DH43-32-32FJ4	32	2"	50	2.1/2"-12	73	211	140	

\*stainless steel

Add "SS" example: SS-DH43-04-04FJ4

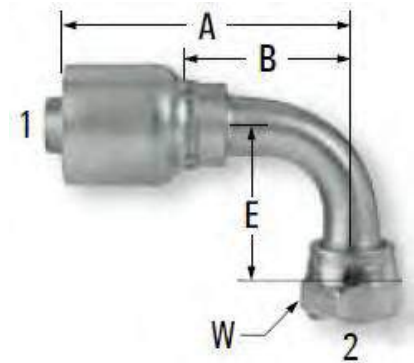
# DH43 Fittings

Crimp hose fittings for 1SN,2SN ,100R1AT,100R2AT,100R16,100R17

## DH43 -FJ9

**FEMALE JIC SWIVEL - 90° ELBOW**

Ref.Parker 13943 & 1L943



Part No.	1- Hose Bore			2- Thread	W- HEX (mm)	Dimensions		
	Size	Inch	DN			A(mm)	B(mm)	E(mm)
DH43-04-04FJ9	4	1/4"	6	7/16"-20	14.2	51	30	
DH43-04-05FJ9	4	1/4"	6	1/2"-20	17.4	51	30	
DH43-04-06FJ9	4	1/4"	6	9/16"-18	17.4	51	30	
DH43-05-05FJ9	5	5/16"	8	1/2"-20	17.4	57	35	
DH43-06-04FJ9	6	3/8"	10	7/16"-20	14.2	69	42	
DH43-06-06FJ9	6	3/8"	10	9/16"-18	17.4	69	42	
DH43-06-08FJ9	6	3/8"	10	3/4"-16	22.2	69	42	
DH43-08-06FJ9	8	1/2"	12	9/16"-18	17.4	70	38	
DH43-08-08FJ9	8	1/2"	12	3/4"-16	22.2	70	38	
DH43-08-10FJ9	8	1/2"	12	7/8"-18	25.4	70	38	
DH43-08-12FJ9	8	1/2"	12	1.1/16"-12	31.7	70	38	
DH43-10-10FJ9	10	5/8"	16	7/8"-14	25.4	71	42	
DH43-10-12FJ9	10	5/8"	16	1.1/16"-12	31.7	71	42	
DH43-12-12FJ9	12	3/4"	20	1.1/16"-12	31.7	101	61	
DH43-16-16FJ9	16	1"	25	1.5/16"-12	63.5	126	81	
DH43-20-20FJ9	20	1.1/4"	32	1.5/8"-12	50.8	140	93	
DH43-24-24FJ9	24	1.1/2"	40	1.7/8"-12	53.9	151	91	
DH43-32-32FJ9	32	2"	50	2.1/2"-12	73	206	135	

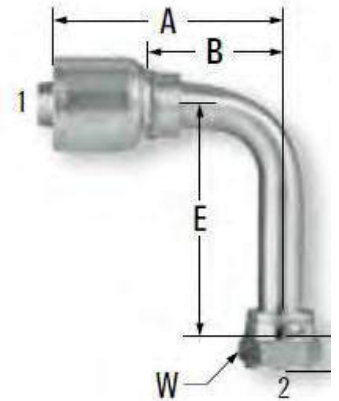
\*stainless steel

Add "SS" example: SS-DH43-04-04FJ9



# DH43 Fittings

Crimp hose fittings for 1SN,2SN ,100R1AT,100R2AT,100R16,100R17



## DH43 -FJ9L

**FEMALE JIC SWIVEL - 90° LONG DROP**

Ref.Parker 14143

Part No.	1- Hose Bore			2- Thread	W -NUT (mm)	Dimensions		
	Size	Inch	DN			A(mm)	B(mm)	E(mm)
DH43-04-04FJ9L	4	1/4"	6	7/16"-20	14.2	51	30	46
DH43-04-05FJ9L	4	1/4"	6	1/2"-20	17.4	51	30	46
DH43-06-06FJ9L	6	3/8"	10	9/16"-18	17.4	69	42	55
DH43-06-08FJ9L	6	3/8"	10	3/4"-16	22.2	69	42	62
DH43-08-08FJ9L	8	1/2"	12	3/4"-16	22.2	70	38	62
DH43-08-10FJ9L	8	1/2"	12	7/8"-14	25.4	70	38	65
DH43-10-10FJ9L	10	5/8"	16	7/8"-14	25.4	71	42	65
DH43-12-12FJ9L	12	3/4"	20	1.1/16"-12	31.7	101	61	95
DH43-16-16FJ9L	16	1"	25	1.5/16"-12	38.1	126	81	110
DH43-20-20FJ9L	20	1.1/4"	32	1.5/8"-12	50.8	140	93	134

\*stainless steel

Add "SS" example: SS-DH43-04-04FJ9L

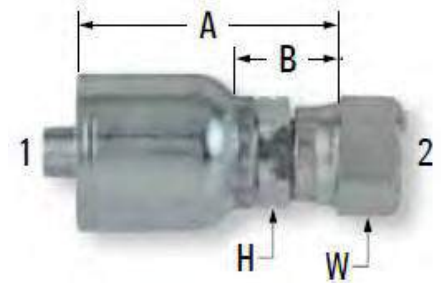
# DH43 Fittings

Crimp hose fittings for 1SN,2SN ,100R1AT,100R2AT,100R16,100R17

## DH43 -FSX

**FEMALE SAE - SWIVEL**

Ref.Parker 10843



Part No.	1- Hose Bore			2- Thread	W- HEX	Dimensions		
	Size	Inch	DN			A(mm)	B(mm)	H(mm)
DH43-04-04FS	4	1/4"	6	7/16"-20	14.2	41	21	14.2
DH43-06-06FS	6	3/8"	10	5/8"-18	17.4	50	23	17.4
DH43-08-08FS	8	1/2"	12	3/4"-16	22.2	54	23	22.2
DH43-10-10FS	10	5/8"	16	7/8"-16	22.2	63	25	25.4
DH43-12-12FS	12	3/4"	20	1.1/16"-12	26.9	66	27	31.7
DH43-16-16FS	16	1"	25	1.5/16"-12	38.1	78	33	34.9

\*stainless steel

Add "SS" example: SS-DH43-04-04FJX

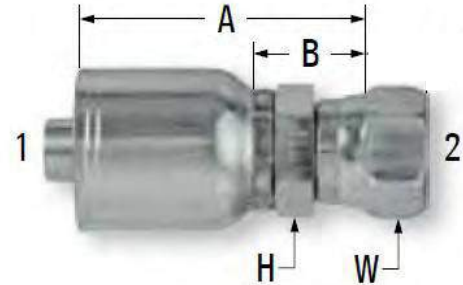
# DH43 Fittings

Crimp hose fittings for 1SN,2SN ,100R1AT,100R2AT,100R16,100R17

## DH43 -FFX

**FEMALE ORFS - SWIVEL**

Ref.Parker 1JC43



Part No.	1- Hose Bore			2- Thread	W- HEX	Dimensions		
	Size	Inch	DN			A(mm)	B(mm)	H(mm)
DH43-04-04FFX	4	1/4"	6	9/16"-18	17.4	48	28	14.2
DH43-04-06FFX	4	1/4"	6	11/16"-16	20.6	50	30	17.4
DH43-04-08FFX	4	1/4"	6	13/16"-16	23.8	53	33	17.4
DH43-06-04FFX	6	3/8"	10	9/16"-18	17.4	56	27	17.4
DH43-06-06FFX	6	3/8"	10	11/16"-16	20.6	56	29	17.4
DH43-06-08FFX	6	3/8"	10	13/16"-16	23.8	59	32	17.4
DH43-06-10FFX	6	3/8"	10	1"-14	28.5	66	39	17.4
DH43-08-06FFX	8	1/2"	12	11/16"-16	20.6	60	29	20.6
DH43-08-08FFX	8	1/2"	12	13/16"-16	23.8	63	32	20.6
DH43-08-10FFX	8	1/2"	12	1"-14	28.5	70	39	20.6
DH43-08-12FFX	8	1/2"	12	1.3/16"-12	34.9	73	42	23.8
DH43-10-08FFX	10	5/8"	16	13/16"-16	23.8	70	32	23.8
DH43-10-10FFX	10	5/8"	16	1"-14	28.5	70	39	20.6
DH43-10-12FFX	10	5/8"	16	1.3/16"-12	34.9	80	42	25.4
DH43-12-10FFX	12	3/4"	20	1"-14	28.5	78	39	26.9
DH43-12-12FFX	12	3/4"	20	1.3/16"-12	34.9	80	41	28.5
DH43-12-16FFX	12	3/4"	20	1.7/16"-12	41.2	82	43	31.7
DH43-16-12FFX	16	1"	25	1.3/16"-12	34.9	88	43	33.3
DH43-16-16FFX	16	1"	25	1.7/16"-12	41.2	90	45	34.9
DH43-16-20FFX	16	1"	25	1.11/16"-12	47.6	78	33	34.9
DH43-20-16FFX	20	1.1/4"	32	1.7/16"-12	41.2	91	44	44.4
DH43-20-20FFX	20	1.1/4"	32	1.11/16"-12	47.6	86	39	44.4
DH43-20-24FFX	20	1.1/4"	32	2"-12	57.1	88	41	44.4
DH43-24-24FFX	24	1.1/2"	40	2"-12	57.1	100	41	47.6

\*stainless steel

Add "SS" example: SS-DH43-04-04FFX

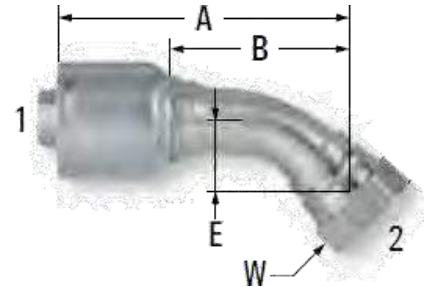
# DH43 Fittings

Crimp hose fittings for 1SN,2SN ,100R1AT,100R2AT,100R16,100R17

## DH43 -FF4

**FEMALE ORFS SWIVEL - 45° ELBOW**

Ref.Parker 1J743



Part No.	1- Hose Bore			2- Thread	W -NUT (mm)	Dimensions		
	Size	Inch	DN			A(mm)	B(mm)	E(mm)
DH43-04-04FF4	4	1/4"	6	9/16"-18	17.4	55	34	
DH43-04-06FF4	4	1/4"	6	11/16"-16	20.6	56	35	
DH43-04-08FF4	4	1/4"	6	13/16"-16	23.8	58	37	
DH43-06-04FF4	6	3/8"	10	9/16"-18	17.4	67	40	
DH43-06-06FF4	6	3/8"	10	11/16"-16	20.6	68	41	
DH43-08-08FF4	8	1/2"	12	13/16"-16	23.8	82	50	
DH43-08-10FF4	8	1/2"	12	1"-14	28.5	83	51	
DH43-08-12FF4	8	1/2"	12	1.3/16"-12	34.9	82	50	
DH43-10-08FF4	10	5/8"	16	13/16"-16	23.8	92	53	
DH43-10-10FF4	10	5/8"	16	1"-14	28.5	93	54	
DH43-10-12FF4	10	5/8"	16	1.3/16"-12	34.9	92	53	
DH43-12-10FF4	12	3/4"	20	1"-14	28.5	116	76	
DH43-12-12FF4	12	3/4"	20	1.3/16"-12	34.9	115	75	
DH43-12-16FF4	12	3/4"	20	1.7/16"-12	41.2	115	75	
DH43-16-12FF4	16	1"	25	1.3/16"-12	34.9	121	76	
DH43-16-16FF4	16	1"	25	1.7/16"-12	41.2	121	76	
DH43-16-20FF4	16	1"	25	1.11/16"-12	47.6	124	79	
DH43-20-16FF4	20	1.1/4"	32	1.7/16"-12	41.2	147	100	
DH43-20-20FF4	20	1.1/4"	32	1.11/16"-12	47.6	150	103	
DH43-20-24FF4	20	1.1/4"	32	2"-12	57.1	151	104	
DH43-24-24FF4	24	1.1/2"	40	2"-12	57.1	174	114	

\*stainless steel

Add "SS" example: SS-DH43-04-04FJ4

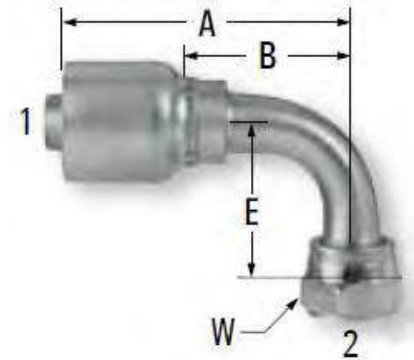
# DH43 Fittings

Crimp hose fittings for 1SN,2SN ,100R1AT,100R2AT,100R16,100R17

## DH43 -FF9

**FEMALE ORFS SWIVEL- 90° ELBOW**

Ref.Parker 1J543



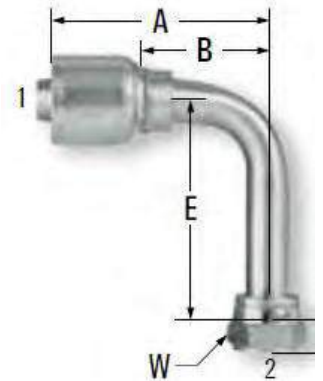
Part No.	1- Hose Bore			2- Thread	W- HEX (mm)	Dimensions		
	Size	Inch	DN			A(mm)	B(mm)	E(mm)
DH43-04-04FF9	4	1/4"	6	9/16"-18	17.4	51	30	
DH43-04-06FF9	4	1/4"	6	11/16"-16	20.6	51	30	
DH43-04-08FF9	4	1/4"	6	13/16"-16	23.8	51	30	
DH43-06-04FF9	6	3/8"	10	9/16"-18	17.4	69	42	
DH43-06-06FF9	6	3/8"	10	11/16"-16	20.6	69	42	
DH43-06-08FF9	6	3/8"	10	13/16"-16	23.8	69	42	
DH43-08-06FF9	8	1/2"	12	11/16"-16	20.6	70	38	
DH43-08-08FF9	8	1/2"	12	13/16"-16	23.8	70	38	
DH43-08-10FF9	8	1/2"	12	1"-14	28.5	70	38	
DH43-08-12FF9	8	1/2"	12	1.3/16"-12	34.9	70	38	
DH43-10-08FF9	10	5/8"	16	13/16"-16	23.8	71	42	
DH43-10-10FF9	10	5/8"	16	1"-14	28.5	71	42	
DH43-10-12FF9	10	5/8"	16	1.3/16"-12	34.9	71	42	
DH43-12-10FF9	12	3/4"	20	1"-14	28.5	101	61	
DH43-12-12FF9	12	3/4"	20	1.3/16"-12	34.9	101	61	
DH43-12-16FF9	12	3/4"	20	1.7/16"-12	41.2	101	61	
DH43-16-12FF9	16	1"	25	1.3/16"-12	34.9	126	81	
DH43-16-16FF9	16	1"	25	1.7/16"-12	41.2	126	81	
DH43-16-20FF9	16	1"	25	1.11/16"-12	47.6	126	81	
DH43-20-16FF9	20	1.1/4"	32	1.7/16"-12	41.2	140	93	
DH43-20-20FF9	20	1.1/4"	32	1.11/16"-12	47.6	140	93	
DH43-20-24FF9	20	1.1/4"	32	2"-12	57.1	140	93	
DH43-24-24FF9	24	1.1/2"	40	2"-12	57.1	151	91	

\*stainless steel

Add "SS" example: SS-DH43-04-04FF9

# DH43 Fittings

Crimp hose fittings for 1SN,2SN ,100R1AT,100R2AT,100R16,100R17



## DH43 -FF9L

**FEMALE JIC SWIVEL - 90° LONG DROP**

Ref.Parker 1J143

Part No.	1- Hose Bore			2- Thread	W -NUT (mm)	Dimensions		
	Size	Inch	DN			A(mm)	B(mm)	E(mm)
DH43-04-04FF9L	4	1/4"	6	9/16"-18	17.4	51	30	46
DH43-06-06FF9L	6	3/8"	10	11/16"-16	20.6	69	42	54
DH43-10-10FF9L	10	5/8"	16	1"-14	28.5	71	42	70
DH43-12-12FF9L	12	3/4"	19	1.3/16"-12	34.9	102	61	96
DH43-16-16FF9L	16	1"	25	1.7/16"-12	41.2	128	81	114
DH43-20-20FF9L	20	1.1/4"	32	1.11/16"-12	47.6	140	93	129

\*stainless steel

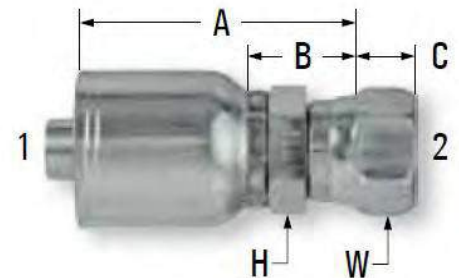
Add "SS" example: SS-

DH43-04-04FF9L

## DH43 -KOM

**FEMALE JIS METRIC 30° - Komatsu**

Ref.Parker 1MU43/1XU43



Part No.	1- Hose Bore			2- Thread	W- HEX	Dimensions		
	Size	Inch	DN			A(mm)	B(mm)	H(mm)
DH43-04-14KOM	4	1/4"	6	M14X1.5	19	41	21	17
DH43-04-16KOM	4	1/4"	6	M16X1.5	22	43	23	17
DH43-06-18KOM	6	3/8"	10	M18X1.5	24	50	23	22
DH43-08-22KOM	8	1/2"	12	M22X1.5	27	55	24	27
DH43-10-24KOM	10	5/8"	16	M24X1.5	32	69	31	27
DH43-12-30KOM	12	3/4"	20	M30X1.5	36	76	37	32
DH43-16-33KOM	16	1"	25	M33X1.5	41	79	34	36

\*stainless steel

Add "SS" example: SS-DH43-04-04FFX

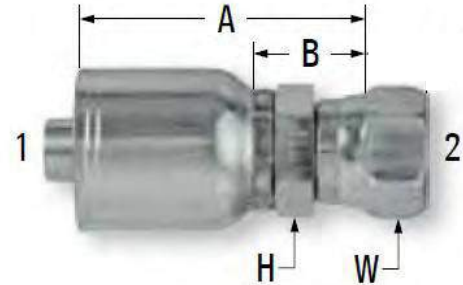
# DH43 Fittings

Crimp hose fittings for 1SN,2SN ,100R1AT,100R2AT,100R16,100R17

## DH43 -JIS

**FEMALE JIS BSP 30° - SWIVEL**

Ref.Parker 1FU43



Part No.	1- Hose Bore			2- Thread	W- HEX	Dimensions		
	Size	Inch	DN			A(mm)	B(mm)	H(mm)
DH43-04-04JIS	4	1/4"	6	1/4"-19	19	41	21	17
DH43-06-06JIS	6	3/8"	10	3/8"-19	22	49	22	22
DH43-08-08JIS	8	1/2"	12	1/2"-14	27	55	24	27
DH43-10-12JIS	10	5/8"	16	3/4"-14	32	65	27	27
DH43-12-12JIS	12	3/4"	19	3/4"-14	36	66	27	32
DH43-16-16JIS	16	1"	25	1"-11	41	77	32	36
DH43-20-20JIS	20	1.1/4"	32	1.1/4"-11	50	85	38	46
DH43-24-24JIS	24	1.1/2"	40	1.1/2"-11	55	102	43	55
DH43-32-32JIS	32	2"	50	2"-11	73	119	48	60

\*stainless steel

Add "SS" example: SS-DH43-04-04JIS

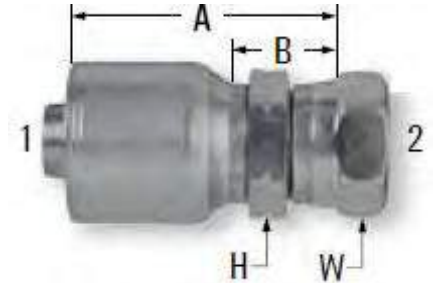
# DH43 Fittings

Crimp hose fittings for 1SN,2SN ,100R1AT,100R2AT,100R16,100R17

## DH43 -BSP

### FEMALE BSP SWIVEL

Ref.Parker 19243



Part No.	1- Hose Bore			2- Thread	W -NUT (mm)	Dimensions		
	Size	Inch	DN			A(mm)	B(mm)	H(mm)
DH43-04-04BSP	4	1/4"	6	G1/4"-19	19	45	25	17
DH43-06-06BSP	6	3/8"	10	G3/8"-19	22	55	28	19
DH43-08-08BSP	8	1/2"	12	G1/2"-14	27	60	29	22
DH43-10-10BSP	10	5/8"	16	G5/8"-14	27	67	29	27
DH43-12-12BSP	12	3/4"	20	G3/4"-14	36	71	32	27
DH43-16-16BSP	16	1"	25	G1"-11	41	81	36	36
DH43-20-20BSP	20	1.1/4"	32	G1.1/4"-11	50	93	46	46

\*stainless steel

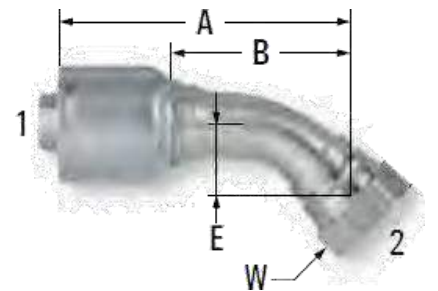
Add "SS" example: SS-

DH43-04-04BSP

## DH43 -BSP4

### FEMALE BSP SWIVEL - 45° ELBOW

Ref.Parker 1B143



Part No.	1- Hose Bore			2- Thread	W- HEX	Dimensions		
	Size	Inch	DN			A(mm)	B(mm)	E(mm)
DH43-04-04BSP4	4	1/4"	6	G1/4"-19	19	58	38	
DH43-06-06BSP4	6	3/8"	10	G3/8"-19	22	71	44	
DH43-08-08BSP4	8	1/2"	12	G1/2"-14	27	84	52	
DH43-10-10BSP4	10	5/8"	16	G5/8"-14	27	92	53	
DH43-12-12BSP4	12	3/4"	20	G3/4"-14	36	117	77	
DH43-16-16BSP4	16	1"	25	G1"-11	41	125	80	

\*stainless steel

Add "SS" example: SS-DH43-04-04BSP4



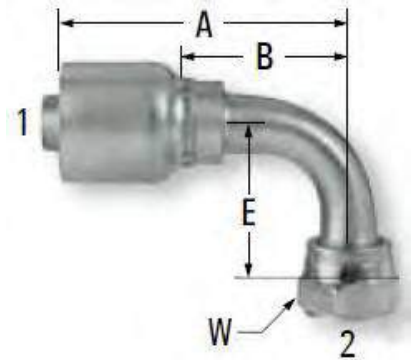
# DH43 Fittings

Crimp hose fittings for 1SN,2SN ,100R1AT,100R2AT,100R16,100R17

## DH43 -BSP9

**FEMALE BSP SWIVEL - 90° ELBOW**

Ref.Parker 1B243



Part No.	1- Hose Bore			2- Thread	W- HEX	Dimensions		
	Size	Inch	DN			A(mm)	B(mm)	E(mm)
DH43-04-04BSP9	4	1/4"	6	G1/4"-19	19	51	30	
DH43-06-06BSP9	6	3/8"	10	G3/8"-19	22	69	42	
DH43-08-08BSP9	8	1/2"	12	G1/2"-14	27	70	38	
DH43-12-12BSP9	12	3/4"	20	G3/4"-14	36	101	61	
DH43-16-16BSP9	16	1"	25	G1"-11	41	126	81	
DH43-20-20BSP9	20	1.1/4"	32	G1.1/4"-11	50	140	93	

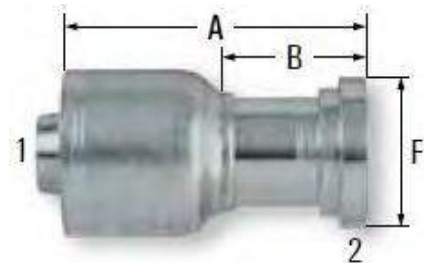
\*stainless steel

Add "SS" example: SS-DH43-04-04JIS

## DH43 -C61

**CODE 61 FLANGE**

Ref.Parker 11543



Part No.	1- Hose Bore			2- Code 61 Flange size	Dimensions		
	Size	Inch	DN		A(mm)	B(mm)	F(mm)
DH43-08-08C61	8	1/2"	12	1/2"	76	45	30.1
DH43-08-12C61	8	1/2"	12	3/4"	76	45	38.1
DH43-12-12C61	12	3/4"	20	3/4"	84	45	38.1
DH43-12-16C61	12	3/4"	20	1"	80	41	44.4
DH43-16-16C61	16	1"	25	1"	101	56	44.4
DH43-16-20C61	16	1"	25	1.1/4"	99	54	50.8
DH43-20-20C61	20	1.1/4"	32	1.1/4"	110	63	50.8
DH43-20-24C61	20	1.1/4"	32	1.1/2"	116	69	60.3
DH43-24-24C61	24	1.1/2"	40	1.1/2"	131	72	60.3
DH43-24-32C61	24	1.1/2"	40	2"	138	79	71.4
DH43-32-32C61	32	2"	50	2"	150	79	71.4

\*stainless steel

Add "SS" example: SS-DH43-08-08C61

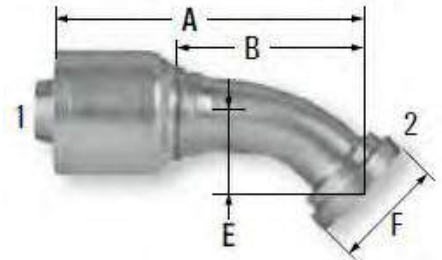
# DH43 Fittings

Crimp hose fittings for 1SN,2SN ,100R1AT,100R2AT,100R16,100R17

## DH43 -C614

**CODE 61 FLANGE - 45° ELBOW**

Ref.Parker 11743

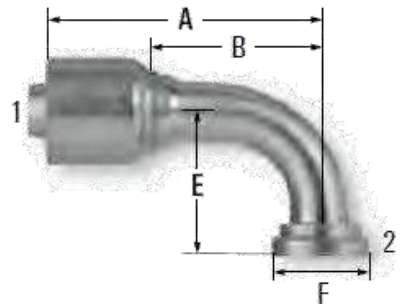


Part No.	1- Hose Bore			2- Flanges size	E (mm)	Dimensions		
	Size	Inch	DN			A(mm)	B(mm)	F(mm)
DH43-08-08C614	8	1/2"	12	1/2"		80	48	30.1
DH43-08-12C614	8	1/2"	12	3/4"		83	51	38.1
DH43-12-12C614	12	3/4"	20	3/4"		116	76	38.1
DH43-12-16C614	12	3/4"	20	1"		116	76	44.4
DH43-16-16C614	16	1"	25	1"		112	77	44.4
DH43-16-20C614	16	1"	25	1.1/4"		112	77	50.8
DH43-20-20C614	20	1.1/4"	32	1.1/4"		148	101	50.8
DH43-20-24C614	20	1.1/4"	32	1.1/2"		150	103	60.3
DH43-24-24C614	24	1.1/2"	40	1.1/2"		173	113	60.3
DH43-24-32C614	24	1.1/2"	40	2"		173	113	71.4
DH43-32-32C614	32	2"	50	2"		209	138	71.4

## DH43 -C619

**CODE 61 FLANGE - 90° ELBOW**

Ref.Parker 11943



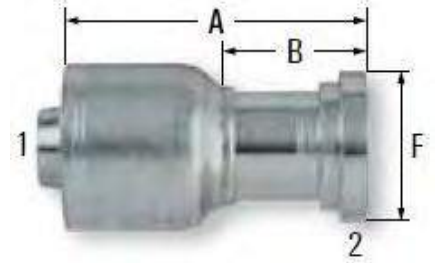
Part No.	1- Hose Bore			2- Flanges size	E (mm)	Dimensions		
	Size	Inch	DN			A(mm)	B(mm)	F(mm)
DH43-08-08C619	8	1/2"	12	1/2"		70	38	30.1
DH43-08-12C619	8	1/2"	12	3/4"		70	38	38.1
DH43-12-12C619	12	3/4"	20	3/4"		101	61	38.1
DH43-12-16C619	12	3/4"	20	1"		101	61	44.4
DH43-16-16C619	16	1"	25	1"		126	81	44.4
DH43-16-20C619	16	1"	25	1.1/4"		126	81	50.8
DH43-20-20C619	20	1.1/4"	32	1.1/4"		140	93	50.8
DH43-20-24C619	20	1.1/4"	32	1.1/2"		140	93	60.3
DH43-24-24C619	24	1.1/2"	40	1.1/2"		151	91	60.3
DH43-32-32C619	32	2"	50	2"		206	135	71.4

# DH43 Fittings

## DH43 -C62

### CODE 62 FLANGE

Ref.Parker 16A43

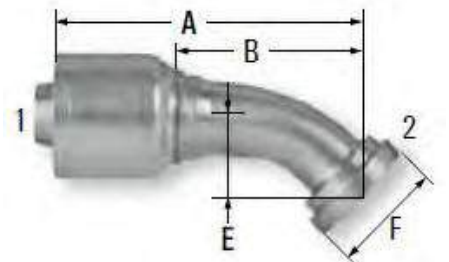


Part No.	1- Hose Bore			2- Code 62 Flange size	Dimensions		
	Size	Inch	DN		A(mm)	B(mm)	F(mm)
DH43-12-12C62	12	3/4"	20	3/4"	88	49	41.2
DH43-12-16C62	12	3/4"	20	1"	99	60	47.6
DH43-16-16C62	16	1"	25	1"	107	62	47.6
DH43-16-20C62	16	1"	25	1.1/4"	111	74	53.9
DH43-20-20C62	20	1.1/4"	32	1.1/4"	112	75	53.9
DH43-20-24C62	20	1.1/4"	32	1.1/2"	112	75	63.5
DH43-24-24C62	24	1.1/2"	40	1.1/2"	140	81	63.5
DH43-24-32C62	24	1.1/2"	40	2"	160	101	79.3
DH43-32-32C62	32	2"	50	2"	172	101	79.3

## DH43 -C624

### CODE 62 FLANGE -45° ELBOW

Ref.Parker 16F43



Part No.	1- Hose Bore			2- Flange size	E (mm)	Dimensions		
	Size	Inch	DN			A(mm)	B(mm)	F(mm)
DH43-12-12C624	12	3/4"	20	3/4"		119	79	41.2
DH43-16-16C624	16	1"	25	1"		117	82	47.6
DH43-20-20C624	20	1.1/4"	32	1.1/4"		156	109	53.9
DH43-24-24C624	24	1.1/2"	40	1.1/2"		179	119	63.5
DH43-32-32C624	32	2"	50	2"		224	153	79.3

\*stainless steel

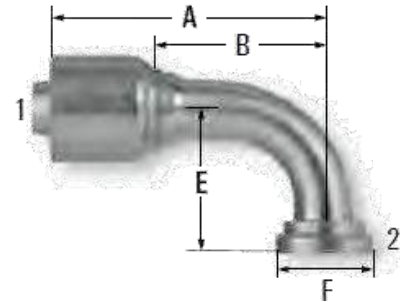
Add "SS" example: SS-DH43-12-12C62

# DH43 Fittings

Crimp hose fittings for  
1SN,2SN ,100R1AT,100R2AT,100R16,100R17

## DH43 -C629

**CODE 62 FLANGE - 90° ELBOW**  
Ref.Parker 16N43



Part No.	1- Hose Bore			2- Flanges size	E (mm)	Dimensions		
	Size	Inch	DN			A(mm)	B(mm)	F(mm)
DH43-12-12C629	12	3/4"	20	3/4"		101	79	41.2
DH43-16-16C629	16	1"	25	1"		126	82	47.6
DH43-20-20C629	20	1.1/4"	32	1.1/4"		140	109	53.9
DH43-24-24C629	24	1.1/2"	40	1.1/2"		151	119	63.5
DH43-32-32C629	32	2"	50	2"		206	153	79.3

## DH43 -MNL

**METRIC MALE O-RING 24° CONE DIN LIGHT**  
Ref.Parker 1D043

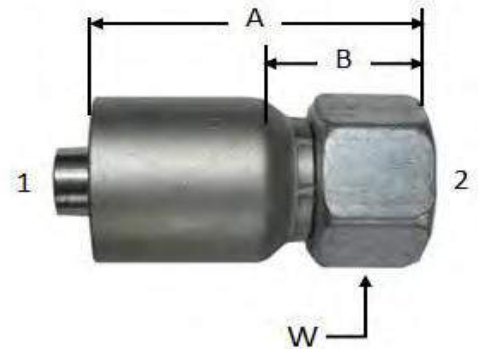


Part No.	1- Hose Bore			2- Thread	TUBE O.D.	Dimensions		
	Size	Inch	DN			A(mm)	B(mm)	H (mm)
DH43-04-14MNL	4	1/4"	6	M14X1.5	8	44	24	14
DH43-06-16MNL	6	3/8"	10	M16X1.5	10	50	23	19
DH43-06-18MNL	6	3/8"	10	M18X1.5	12	51	24	19
DH43-08-22MNL	8	1/2"	12	M22X1.5	15	56	25	22
DH43-10-26MNL	10	5/8"	16	M26X1.5	18	64	26	27
DH43-12-30MNL	12	3/4"	20	M30X2.0	22	68	29	30
DH43-16-36MNL	16	1"	25	M36X2.0	28	76	31	36
DH43-20-45MNL	20	1.1/4"	32	M45X2.0	35	88	41	46

# DH43 Fittings

## DH43 -NL

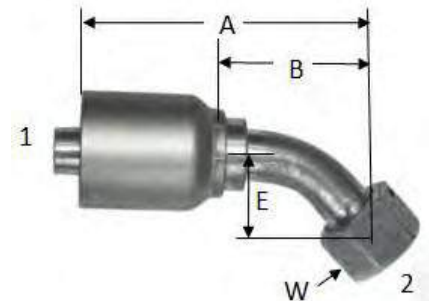
**FEMALE O-RING 24° CONE DIN LIGHT**  
Ref.Parker 1CA43



Part No.	1- Hose Bore			2- Thread	Tube O.D.	Dimensions		
	Size	Inch	DN			A(mm)	B(mm)	W(mm)
DH43-04-14NL	4	1/4"	6	M14X1.5	8	48	28	19
DH43-06-16NL	6	3/8"	10	M16X1.5	10	59	32	22
DH43-06-18NL	6	3/8"	10	M18X1.5	12	58	31	22
DH43-08-22NL	8	1/2"	12	M22X1.5	15	66	35	27
DH43-10-26NL	10	5/8"	16	M26X1.5	18	77	39	32
DH43-12-30NL	12	3/4"	20	M30X2.0	22	80	41	36
DH43-16-36NL	16	1"	25	M36X2.0	28	91	46	46
DH43-20-45NL	20	1.1/4"	32	M45X2.0	35	102	55	55

## DH43 -NL4

**FEMALE O-RING 24° CONE DIN LIGHT - 45° ELBOW**  
Ref.Parker 1CE43



Part No.	1- Hose Bore		Tube O.D.	2- Thread	E(mm)	Dimensions		
	Size	Inch				A(mm)	B(mm)	W(mm)
DH43-04-12NL4	4	1/4"	6	M12X1.5		57	36	17
DH43-04-14NL4	4	1/4"	8	M14X1.5		60	39	19
DH43-04-16NL4	4	1/4"	10	M16X1.5		62	41	22
DH43-06-16NL4	6	3/8"	10	M16X1.5		73	46	22
DH43-06-18NL4	6	3/8"	12	M18X1.5		73	46	22
DH43-08-22NL4	8	1/2"	15	M22X1.5		87	55	27
DH43-10-26NL4	10	5/8"	18	M26X1.5		102	63	32
DH43-12-26NL4	12	3/4"	18	M26X1.5		125	85	32
DH43-12-30NL4	12	3/4"	22	M30X2.0		123	83	36
DH43-12-36NL4	12	3/4"	28	M36X2.0		123	83	46
DH43-16-36NL4	16	1"	28	M36X2.0		129	84	46
DH43-20-45NL4	20	1.1/4"	35	M45X2.0		157	110	55
DH43-24-52NL4	24	1.1/2"	42	M52X2.0		180	120	60

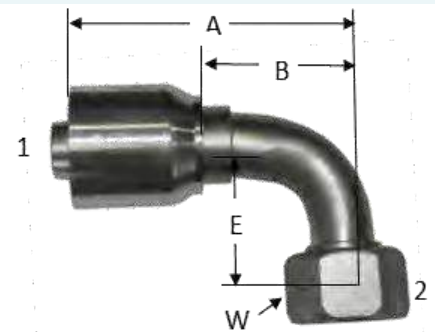
# DH43 Fittings

Crimp hose fittings for 1SN,2SN ,100R1AT,100R2AT,100R16,100R17

## DH43 -NL9

**FEMALE METRIC 24° CONE DIN LIGHT- 90° ELBOW**

Ref.Parker 1CF43



Part No.	1- Hose Bore			TUBE O.D.	2- thread	W-NUT (mm)	Dimensions		
	Size	Inch	DN				A(mm)	B(mm)	E(mm)
DH43-04-12NL9	4	1/4"	6	6	M12X1.5	17	51	30	
DH43-04-14NL9	4	1/4"	6	8	M14X1.5	19	51	30	
DH43-04-16NL9	4	1/4"	6	10	M16X1.5	22	51	30	
DH43-06-16NL9	6	3/8"	10	10	M16X1.5	22	69	42	
DH43-06-18NL9	6	3/8"	10	12	M18X1.5	22	69	42	
DH43-08-22NL9	8	1/2"	12	15	M22X1.5	27	70	38	
DH43-10-26NL9	10	5/8"	16	18	M26X1.5	32	71	42	
DH43-12-26NL9	12	3/4"	20	18	M26X1.5	32	101	61	
DH43-12-30NL9	12	3/4"	20	22	M30X2.0	36	101	61	
DH43-12-36NL9	12	3/4"	20	28	M36X2.0	46	101	61	
DH43-16-36NL9	16	1"	25	28	M36X2.0	46	126	81	
DH43-20-45NL9	20	1.1/4"	32	35	M45X2.0	55	140	93	
DH43-24-52NL9	24	1.1/2"	40	42	M52X2.0	60	151	91	

## DH43 -MNS

**METRIC MALE O-RING 24° CONE DIN HEAVY**

Ref.Parker 1D243



Part No.	1- Hose Bore			2- Thread	TUBE O.D.	Dimensions		
	Size	Inch	DN			A(mm)	B(mm)	H (mm)
DH43-04-16MNS	4	1/4"	6	M16X1.5	8	42	22	17
DH43-04-18MNS	4	1/4"	6	M18X1.5	10	42	22	19
DH43-06-18MNS	6	3/8"	10	M18X1.5	10	50	23	19
DH43-06-20MNS	6	3/8"	10	M20X1.5	12	50	23	22
DH43-06-22MNS	6	3/8"	10	M22X1.5	14	55	24	24
DH43-08-24MNS	8	1/2"	12	M24X1.5	16	56	25	27
DH43-10-30MNS	10	5/8"	16	M30X2.0	20	64	26	32
DH43-12-36MNS	12	3/4"	20	M36X2.0	25	68	29	36
DH43-16-42MNS	16	1"	25	M42X2.0	30	76	31	46
DH43-20-52MNS	20	1.1/4"	32	M52X2.0	38	88	41	55

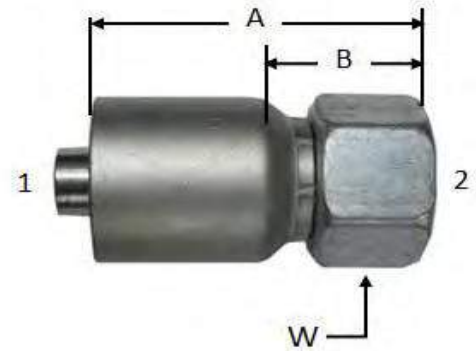
# DH43 Fittings

Crimp hose fittings for 1SN,2SN ,100R1AT,100R2AT,100R16,100R17

## DH43 -NS

**FEMALE O-RING 24° CONE DIN HEAVY**

Ref.Parker 1C943



Part No.	1- Hose Bore			2- Thread	Tube O.D.	Dimensions		
	Size	Inch	DN			A(mm)	B(mm)	W(mm)
DH43-04-18NS	4	1/4"	6	M18X1.5	10	48	28	22
DH43-06-18NS	6	3/8"	10	M18X1.5	10	59	32	22
DH43-06-20NS	6	3/8"	10	M20X1.5	12	59	32	24
DH43-06-22NS	6	3/8"	10	M22X1.5	14	59	32	27
DH43-08-24NS	8	1/2"	12	M24X1.5	16	66	35	30
DH43-10-30NS	10	5/8"	16	M30X2.0	20	77	39	36
DH43-12-36NS	12	3/4"	20	M36X2.0	25	80	41	46
DH43-16-36NS	16	1"	25	M36X2.0	25	91	46	46
DH43-16-42NS	16	1"	25	M42X2.0	30	91	46	50
DH43-20-52NS	20	1.1/4"	32	M52X2.0	38	102	55	60
DH43-24-52NS	24	1.1/2"	40	M52X2.0	38	121	62	60

\*stainless steel

Add "SS" example: SS-DH43-04-18NS

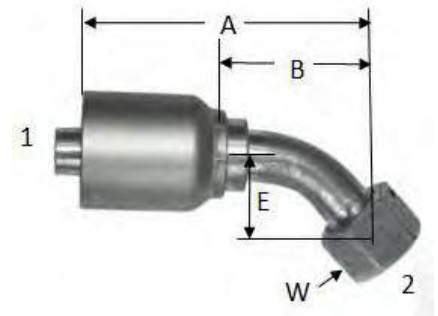
# DH43 Fittings

Crimp hose fittings for 1SN,2SN ,100R1AT,100R2AT,100R16,100R17

## DH43 -NS4

**FEMALE METRIC 24° CONE DIN HEAVY- 45° ELBOW**

Ref.Parker 10C43

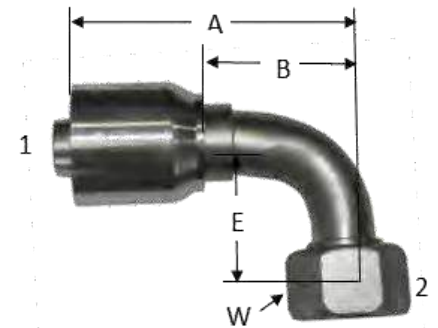


Part No.	1- Hose Bore			TUBE O.D.	2- thread	W-NUT (mm)	Dimensions		
	Size	Inch	DN				A(mm)	B(mm)	E(mm)
DH43-06-18NS4	6	3/8"	10	10	M18X1.5	22	75	48	
DH43-06-20NS4	6	3/8"	10	12	M20X1.5	24	75	48	
DH43-06-22NS4	6	3/8"	10	14	M22X1.5	27	75	48	
DH43-10-30NS4	10	5/8"	16	20	M30X2.0	36	100	61	
DH43-12-30NS4	12	3/4"	20	20	M30X2.0	36	123	83	
DH43-12-36NS4	12	3/4"	20	25	M36X2.0	46	124	84	
DH43-16-36NS4	16	1"	25	25	M36X2.0	46	130	85	
DH43-16-42NS4	16	1"	25	30	M42X2.0	50	130	85	
DH43-20-52NS4	20	1.1/4"	32	38	M52X2.0	60	158	111	
DH43-24-52NS4	24	1.1/2"	40	38	M52X2.0	60	179	119	

## DH43 -NS9

**FEMALE METRIC 24° CONE DIN HEAVY- 90° ELBOW**

Ref.Parker 11C43



Part No.	1- Hose Bore			TUBE O.D.	2- thread	W-NUT (mm)	Dimensions		
	Size	Inch	DN				A(mm)	B(mm)	E(mm)
DH43-04-18NS9	4	1/4"	6	10	M18X1.5	22	51	30	
DH43-06-18NS9	6	3/8"	10	10	M18X1.5	22	69	42	
DH43-06-20NS9	6	3/8"	10	12	M20X1.5	24	69	42	
DH43-06-22NS9	6	3/8"	10	14	M22X1.5	27	69	42	
DH43-08-24NS9	8	1/2"	12	16	M24X1.5	30	70	38	
DH43-10-30NS9	10	5/8"	16	20	M30X2.0	36	71	42	
DH43-12-30NS9	12	3/4"	20	20	M30X2.0	36	101	61	
DH43-12-36NS9	12	3/4"	20	25	M36X2.0	46	101	61	
DH43-16-36NS9	16	1"	25	25	M36X2.0	46	126	81	
DH43-16-42NS9	16	1"	25	30	M42X2.0	50	126	81	
DH43-20-52NS9	20	1.1/4"	32	38	M52X2.0	65	140	93	
DH43-24-52NS9	24	1.1/2"	40	38	M52X2.0	65	151	91	



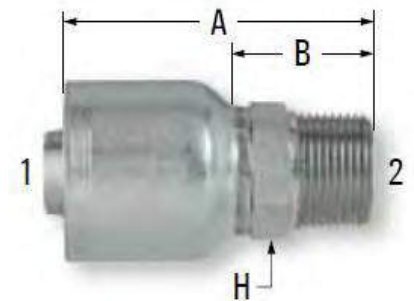
# DH71 Fittings

Crimp hose fittings for 4SP and SAE 100R12 Spiral Hose

## DH71 -MP

**MALE PIPE RIGID**

Ref.Parker 10171

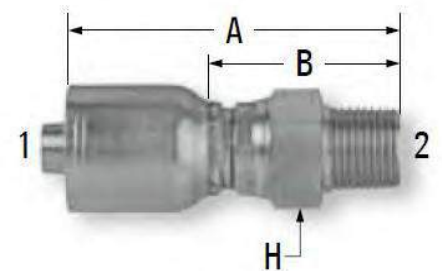


Part No.	1- Hose Bore			2- Thread	Dimensions		
	Size	Inch	DN		A(mm)	B(mm)	H(mm)
DH71-06-06MP	6	3/8"	10	3/8"-18	56	29	17.4
DH71-08-08MP	8	1/2"	12	1/2"-14	64	33	22.2
DH71-08-12MP	8	1/2"	12	3/4"-14	63	32	26.9
DH71-12-12MP	12	3/4"	20	3/4"-14	74	35	26.9
DH71-12-16MP	12	3/4"	20	1"-11.5	79	40	34.9
DH71-16-16MP	16	1"	25	1"-11.5	87	41	34.9
DH71-16-20MP	16	1"	25	1.1/4"-11.5	96	49	42.8
DH71-20-20MP	20	1.1/4"	32	1.1/4"-11.5	96	49	42.8
DH71-24-24MP	24	1.1/2"	40	1.1/2"-11.5	109	50	50.8
DH71-32-32MP	32	2"	50	2"-11.5	129	58	63.5

## DH71 -MPX

**MALE PIPE - SWIVEL**

Ref.Parker 11371



Part No.	1- Hose Bore			2- Thread	Dimensions		
	Size	Inch	DN		A(mm)	B(mm)	H(mm)
DH71-06-06MPX	6	3/8"	10	3/8"-18	67	44	22.2
DH71-06-08MPX	6	3/8"	10	1/2"-14	76	49	25.4
DH71-08-06MPX	8	1/2"	12	3/8"-18	76	44	22.2
DH71-08-08MPX	8	1/2"	12	1/2"-14	80	49	25.4
DH71-08-12MPX	8	1/2"	12	3/4"-14	92	61	34.9
DH71-12-08MPX	12	3/4"	20	1/2"-14	88	49	25.4
DH71-12-12MPX	12	3/4"	20	3/4"-14	100	61	34.9
DH71-12-16MPX	12	3/4"	20	1"-11.5	112	73	38.1
DH71-16-12MPX	16	1"	25	3/4"-14	106	61	34.9
DH71-16-16MPX	16	1"	25	1"-11.5	118	73	38.1

# DH71 Fittings

Crimp hose fittings for 4SP and SAE 100R12 Spiral Hose

## DH71 -MB

**MALE O-RING BOSS - RIGID**

Ref.Parker 10571



Part No.	1- Hose Bore			2- Thread	Dimensions		
	Size	Inch	DN		A(mm)	B(mm)	H(mm)
DH71-06-06MB	6	3/8"	10	9/16"-18	53	23	22.2
DH71-06-08MB	6	3/8"	10	3/4"-16	53	25	22.2
DH71-08-08MB	8	1/2"	12	3/4"-16	58	27	26.9
DH71-08-10MB	8	1/2"	12	7/8"-14	59	33	38.1
DH71-10-10MB	10	5/8"	16	7/8"-14	66	23	22.2
DH71-10-12MB	10	5/8"	16	1.1/16"-12	70	25	22.2
DH71-12-12MB	12	3/4"	20	1.1/16"-12	71	27	26.9
DH71-12-14MB	12	3/4"	20	1.3/16"-12	74	33	38.1
DH71-16-16MB	16	1"	25	1.5/16"-12	80	33	38.1

\*stainless steel

Add "SS" example: SS-DH71-06-06MB

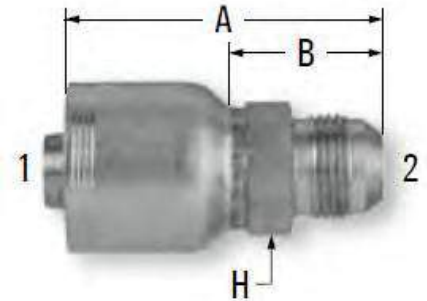
# DH71 Fittings

Crimp hose fittings for 4SP and SAE 100R12 Spiral Hose

## DH71 -MJ

**MALE 37° JIC RIGID**

Ref.Parker 10371



Part No.	1- Hose Bore			2- Thread	Dimensions		
	Size	Inch	DN		A(mm)	B(mm)	H(mm)
DH71-06-06MJ	6	3/8"	10	9/16"-18	54	27	19
DH71-06-08MJ	6	3/8"	10	3/4"-16	58	30	22.2
DH71-06-10MJ	6	3/8"	10	7/8"-14	60	32	25.4
DH71-08-08MJ	8	1/2"	12	3/4"-16	61	30	22.2
DH71-08-10MJ	8	1/2"	12	7/8"-14	63	32	25.4
DH71-08-12MJ	8	1/2"	12	1.1/16"-12	69	38	28.5
DH71-10-10MJ	10	5/8"	16	7/8"-14	71	33	25.4
DH71-10-12MJ	10	5/8"	16	1.1/16"-12	76	38	28.5
DH71-12-12MJ	12	3/4"	20	1.1/16"-12	79	39	28.5
DH71-12-14MJ	12	3/4"	20	1.3/16"-12	79	40	31.7
DH71-12-16MJ	12	3/4"	20	1.5/16"-12	80	40	34.9
DH71-16-16MJ	16	1"	25	1.5/16"-12	87	40	34.9
DH71-20-20MJ	20	1.1/4"	32	1.5/8"-12	98	44	47.6
DH71-20-24MJ	20	1.1/4"	32	1.7/8"-12	95	48	50.8

\*stainless steel

Add "SS" example: SS-DH71-08-08MJ

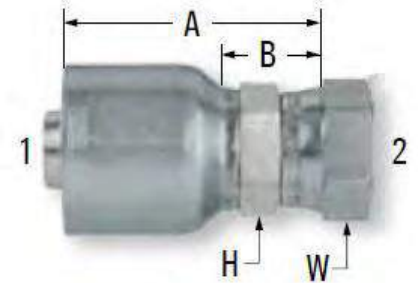
# DH71 Fittings

Crimp hose fittings for 4SP and SAE 100R12 Spiral Hose

## DH71 -FJX

**FEMALE JIC - SWIVEL**

Ref.Parker 10671

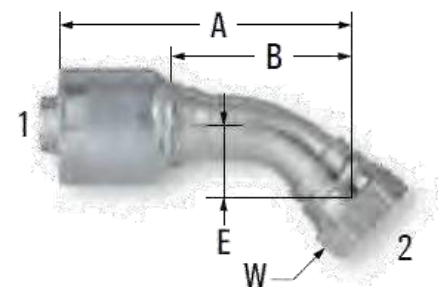


Part No.	1- Hose Bore			2- Thread	W- HEX	Dimensions		
	Size	Inch	DN			A(mm)	B(mm)	H(mm)
DH71-06-06FJX	6	3/8"	10	9/16"-18	17.4	51	23	17.4
DH71-06-08FJX	6	3/8"	10	3/4"-16	22.2	51	23	17.4
DH71-06-10FJX	6	3/8"	10	7/8"-14	25.4	51	23	22.2
DH71-08-08FJX	8	1/2"	12	3/4"-16	22.2	54	23	22.2
DH71-08-10FJX	8	1/2"	12	7/8"-14	25.4	56	24	22.2
DH71-12-12FJX	12	3/4"	20	1.1/16"-12	31.7	67	27	26.9
DH71-16-16FJX	16	1"	25	1.5/16"-12	34.9	79	33	38.1
DH71-20-16FJX	16	1"	25	1.5/8"-12	50.8	82	34	41.2
DH71-20-20FJX	20	1.1/4"	32	1.5/8"-12	50.8	82	35	47.6
DH71-24-24FJX	24	1.1/2"	40	1.7/8"-12	53.9	102	43	53.9
DH71-32-32FJX	32	2"	50	2.1/2"-12	73	126	55	63.5

## DH71 -FJ4

**FEMALE JIC SWIVEL - 45° ELBOW**

Ref.Parker 13771 /1L771



Part No.	1- Hose Bore			2- Thread	W- HEX	Dimensions		
	Size	Inch	DN			A(mm)	B(mm)	E(mm)
DH71-06-06FJ4	6	3/8"	10	9/16"-18	17.4	69	42	
DH71-06-08FJ4	6	3/8"	10	3/4"-16	22.2	69	42	
DH71-08-08FJ4	8	1/2"	12	3/4"-16	22.2	81	49	
DH71-08-10FJ4	8	1/2"	12	7/8"-18	25.4	81	49	
DH71-12-12FJ4	12	3/4"	20	1.1/16"-12	31.7	115	75	
DH71-16-16FJ4	16	1"	25	1.5/16"-12	38.1	122	77	
DH71-20-20FJ4	20	1.1/4"	32	1.5/8"-12	50.8	150	103	
DH71-24-24FJ4	24	1.1/2"	40	1.7/8"-12	53.9	175	115	
DH71-32-32FJ4	32	2"	50	2.1/2"-12	73	211	140	

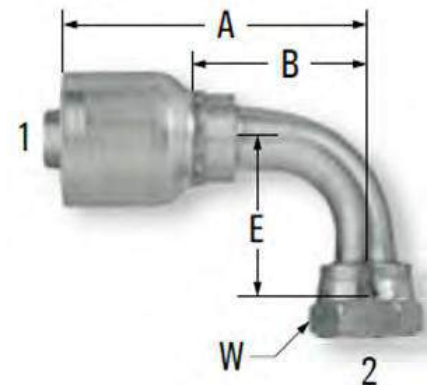
# DH71 Fittings

Crimp hose fittings for 4SP and SAE 100R12 Spiral Hose

## DH71 -FJ9

**FEMALE JIC SWIVEL - 90° ELBOW**

Ref.Parker 13971 & 1L971

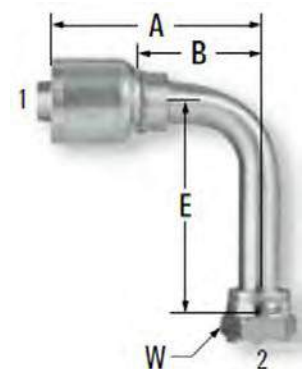


Part No.	1- Hose Bore			2- Thread	W- HEX (mm)	Dimensions		
	Size	Inch	DN			A(mm)	B(mm)	E(mm)
DH71-06-06FJ9	6	3/8"	10	9/16"-18	17.4	70	42	
DH71-06-08FJ9	6	3/8"	10	3/4"-16	22.2	70	42	
DH71-08-08FJ9	8	1/2"	12	3/4"-16	22.2	71	38	
DH71-08-10FJ9	8	1/2"	12	7/8"-18	25.4	71	38	
DH71-08-12FJ9	8	1/2"	12	1.1/16"-12	31.7	71	38	
DH71-12-12FJ9	12	3/4"	20	1.1/16"-12	31.7	102	61	
DH71-16-16FJ9	16	1"	25	1.5/16"-12	38.1	128	81	
DH71-20-20FJ9	20	1.1/4"	32	1.5/8"-12	50.8	140	93	
DH71-24-24FJ9	24	1.1/2"	40	1.7/8"-12	53.9	151	91	
DH71-32-32FJ9	32	2"	50	2.1/2"-12	73	206	135	

## DH71 -FJ9L

**FEMALE JIC SWIVEL - 90° LONG DROP**

Ref.Parker 14171



Part No.	1- Hose Bore			2- Thread	W- HEX (mm)	Dimensions		
	Size	Inch	DN			A(mm)	B(mm)	E(mm)
DH71-06-06FJ9L	6	3/8"	10	9/16"-18	17.4	70	42	55
DH71-06-08FJ9L	6	3/8"	10	3/4"-16	22.2	70	42	62
DH71-08-08FJ9L	8	1/2"	12	3/4"-16	22.2	71	38	62
DH71-08-10FJ9L	8	1/2"	12	7/8"-14	25.4	71	38	65
DH71-12-12FJ9L	12	3/4"	20	1.1/16"-12	31.7	102	61	95
DH71-16-16FJ9L	16	1"	25	1.5/16"-12	38.1	128	81	110

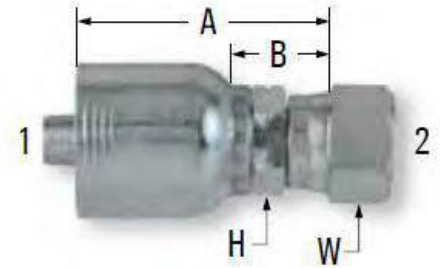
# DH71 Fittings

Crimp hose fittings for 4SP and SAE 100R12 Spiral Hose

## DH71 -FSX

**FEMALE SAE - SWIVEL**

Ref.Parker 10871

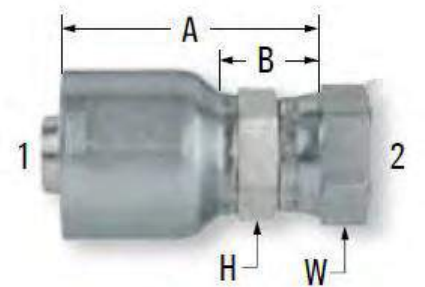


Part No.	1- Hose Bore			2- Thread	W- HEX	Dimensions		
	Size	Inch	DN			A(mm)	B(mm)	H(mm)
DH71-06-06FS	6	3/8"	10	5/8"-18	17.4	51	23	17.4
DH71-08-08FS	8	1/2"	12	3/4"-16	22.2	55	23	22.2
DH71-10-10FS	10	5/8"	16	7/8"-16	22.2	64	25	25.4
DH71-12-12FS	12	3/4"	20	1.1/16"-12	26.9	67	27	31.7
DH71-16-16FS	16	1"	25	1.5/16"-12	38.1	80	33	34.9

## DH71 -FFX

**FEMALE SAE - SWIVEL**

Ref.Parker 1JC71



Part No.	1- Hose Bore			2- Thread	W- HEX	Dimensions		
	Size	Inch	DN			A(mm)	B(mm)	H(mm)
DH71-06-06FFX	6	3/8"	10	11/16"-16	20.6	57	29	17.4
DH71-08-06FFX	8	1/2"	12	11/16"-16	20.6	61	29	20.6
DH71-08-08FFX	8	1/2"	12	13/16"-16	23.8	64	32	20.6
DH71-12-10FFX	12	3/4"	20	1"-14	28.5	79	39	26.9
DH71-12-12FFX	12	3/4"	20	1.3/16"-12	34.9	81	41	28.5
DH71-12-16FFX	12	3/4"	20	1.7/16"-12	41.2	83	43	31.7
DH71-16-16FFX	16	1"	25	1.7/16"-12	41.2	92	45	34.9
DH71-16-20FFX	16	1"	25	1.11/16"-12	47.6	80	33	34.9
DH71-20-16FFX	20	1.1/4"	32	1.7/16"-12	41.2	91	44	44.4
DH71-20-20FFX	20	1.1/4"	32	1.11/16"-12	47.6	86	39	44.4
DH71-20-24FFX	20	1.1/4"	32	2"-12	57.1	88	41	44.4
DH71-24-24FFX	24	1.1/2"	40	2"-12	57.1	100	41	47.6

\*stainless steel

Add "SS" example: SS-DH71-08-08FFX

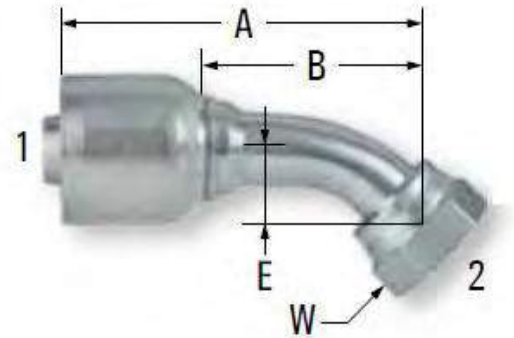
# DH71 Fittings

Crimp hose fittings for 4SP and SAE 100R12 Spiral Hose

## DH71 -FF4

**FEMALE ORFS SWIVEL - 45° ELBOW**

Ref.Parker 1J771



Part No.	1- Hose Bore			2- Thread	W -NUT (mm)	Dimensions		
	Size	Inch	DN			A(mm)	B(mm)	E(mm)
DH71-06-06FF4	6	3/8"	10	11/16"-16	20.6	69	41	
DH71-06-08FF4	6	3/8"	10	13/16"-16	23.8	70	43	
DH71-08-06FF4	8	1/2"	12	11/16"-16	20.6	80	48	
DH71-08-08FF4	8	1/2"	12	13/16"-16	23.8	93	50	
DH71-12-10FF4	12	3/4"	20	1"-14	28.5	117	76	
DH71-12-12FF4	12	3/4"	20	1.3/16"-12	34.9	116	75	
DH71-12-16FF4	12	3/4"	20	1.7/16"-12	41.2	116	75	
DH71-16-16FF4	16	1"	25	1.7/16"-12	41.2	123	76	
DH71-16-20FF4	16	1"	25	1.11/16"-12	47.6	126	79	
DH71-20-16FF4	20	1.1/4"	32	1.7/16"-12	41.2	147	100	
DH71-20-20FF4	20	1.1/4"	32	1.11/16"-12	47.6	150	103	
DH71-20-24FF4	20	1.1/4"	32	2"-12	57.1	151	104	
DH71-24-24FF4	24	1.1/2"	40	2"-12	57.1	174	114	

\*stainless steel

Add "SS" example: SS-DH71-08-08FF4

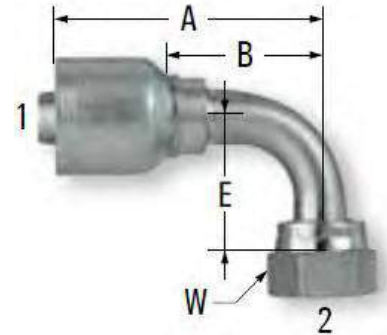
# DH71 Fittings

Crimp hose fittings for 4SP and SAE 100R12 Spiral Hose

## DH71 -FF9

**FEMALE ORFS SWIVEL- 90° ELBOW**

Ref.Parker 1J571



Part No.	1- Hose Bore			2- Thread	W- HEX (mm)	Dimensions		
	Size	Inch	DN			A(mm)	B(mm)	E(mm)
DH71-06-06FF9	6	3/8"	10	11/16"-16	20.6	70	42	
DH71-06-08FF9	6	3/8"	10	13/16"-16	23.8	70	42	
DH71-08-06FF9	8	1/2"	12	11/16"-16	20.6	71	38	
DH71-08-08FF9	8	1/2"	12	13/16"-16	23.8	71	38	
DH71-12-10FF9	12	3/4"	20	1"-14	28.5	102	61	
DH71-12-12FF9	12	3/4"	20	1.3/16"-12	34.9	102	61	
DH71-16-16FF9	16	1"	25	1.7/16"-12	41.2	128	81	
DH71-16-20FF9	16	1"	25	1.11/16"-12	47.6	128	81	
DH71-20-16FF9	20	1.1/4"	32	1.7/16"-12	41.2	140	93	
DH71-20-20FF9	20	1.1/4"	32	1.11/16"-12	47.6	140	93	
DH71-20-24FF9	20	1.1/4"	32	2"-12	57.1	140	93	
DH71-24-24FF9	24	1.1/2"	40	2"-12	57.1	151	91	

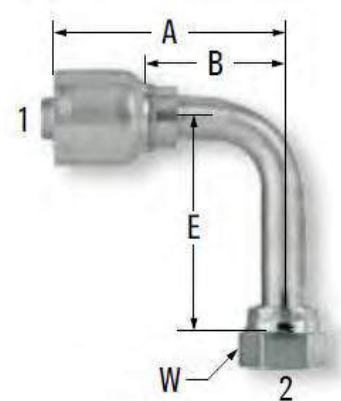
\*stainless steel

Add "SS" example: SS-DH71-06-06FF9

## DH71 -FF9L

**FEMALE JIC SWIVEL - 90° LONG DROP**

Ref.Parker 1J171



Part No.	1- Hose Bore			2- Thread	W- HEX (mm)	Dimensions		
	Size	Inch	DN			A(mm)	B(mm)	E(mm)
DH71-12-12FF9L	12	3/4"	20	1.3/16"-12	34.9	102	61	96
DH71-16-16FF9L	16	1"	25	1.7/16"-12	41.2	128	81	114
DH71-20-20FF9L	20	1.1/4"	32	1.11/16"-12	47.6	140	93	129



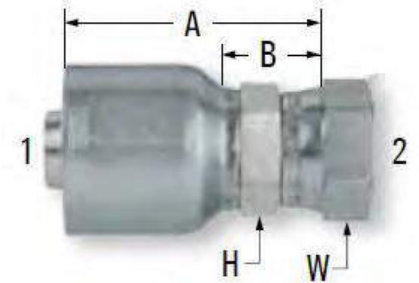
# DH71 Fittings

Crimp hose fittings for 4SP and SAE 100R12 Spiral Hose

## DH71 -KOM

**FEMALE JIS METRIC 30° CONE - Komatsu**

Ref.Parker 1MU71/1XU71



Part No.	1- Hose Bore			2- Thread	W -NUT (mm)	Dimensions		
	Size	Inch	DN			A(mm)	B(mm)	H(mm)
DH71-06-18KOM	6	3/8"	10	M18X1.5	24	51	23	22
DH71-08-22KOM	8	1/2"	12	M22X1.5	27	56	24	27
DH71-10-24KOM	10	5/8"	16	M24X1.5	32	70	31	27
DH71-12-30KOM	12	3/4"	20	M30X1.5	36	77	37	32
DH71-16-33KOM	16	1"	25	M33X1.5	41	81	34	36

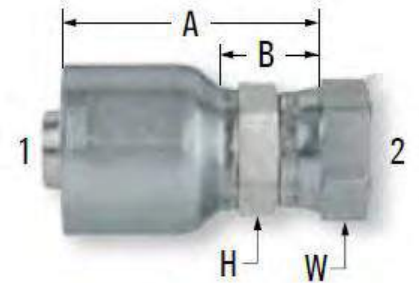
\*stainless steel

Add "SS" example: SS-DH71-06-18KOM

## DH71 - JIS

**FEMALE JIS BSP 30° SWIVEL**

Ref.Parker 1FU71



Part No.	1- Hose Bore			2- Thread	W- HEX	Dimensions		
	Size	Inch	DN			A(mm)	B(mm)	H(mm)
DH71-06-06JIS	6	3/8"	10	3/8"-19	22	50	22	22
DH71-08-08JIS	8	1/2"	12	1/2"-14	27	56	24	27
DH71-12-12JIS	12	3/4"	20	3/4"-14	36	67	27	32
DH71-16-16JIS	16	1"	25	1"-11	41	79	32	36
DH71-20-20JIS	20	1.1/4"	32	1.1/4"-11	50	85	38	46
DH71-24-24JIS	24	1.1/2"	40	1.1/2"-11	55	102	43	55
DH71-32-32JIS	32	2"	50	2"-11	73	119	48	60

\*stainless steel

Add "SS" example: SS-DH71-06-06JIS

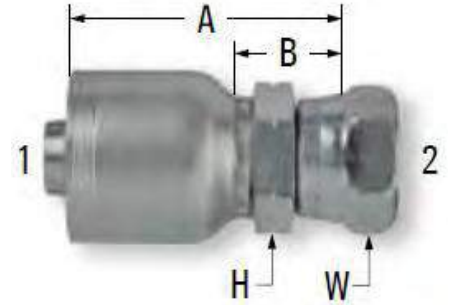
# DH71 Fittings

Crimp hose fittings for 4SP and SAE 100R12 Spiral Hose

## DH71 -BSP

**FEMALE BSP SWIVEL**

Ref.Parker 19271

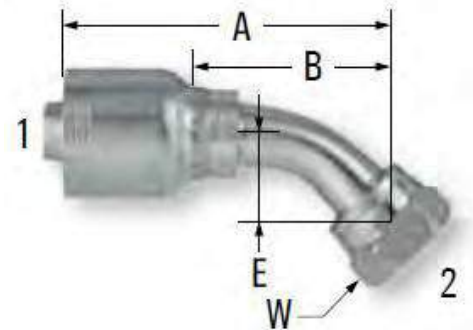


Part No.	1- Hose Bore			2- Thread	W -NUT (mm)	Dimensions		
	Size	Inch	DN			A(mm)	B(mm)	H(mm)
DH71-06-06BSP	6	3/8"	10	G3/8"-19	22	56	28	19
DH71-08-08BSP	8	1/2"	12	G1/2"-14	27	61	29	22
DH71-10-10BSP	10	5/8"	16	G5/8"-14	27	68	29	27
DH71-12-12BSP	12	3/4"	20	G3/4"-14	36	72	32	27
DH71-16-16BSP	16	1"	25	G1"-11	41	83	36	36
DH71-20-20BSP	20	1.1/4"	32	G1.1/4"-11	50	93	46	46

## DH71 -BSP4

**FEMALE BSP SWIVEL - 45° ELBOW**

Ref.Parker 1B171



Part No.	1- Hose Bore			2- Thread	W- HEX	Dimensions		
	Size	Inch	DN			A(mm)	B(mm)	E(mm)
DH71-06-06BSP4	6	3/8"	10	G3/8"-19	22	72	44	
DH71-08-08BSP4	8	1/2"	12	G1/2"-14	27	85	52	
DH71-10-10BSP4	10	5/8"	16	G5/8"-14	27	93	53	
DH71-12-12BSP4	12	3/4"	20	G3/4"-14	36	118	77	
DH71-16-16BSP4	16	1"	25	G1"-11	41	127	80	

\*stainless steel

Add "SS" example: SS-DH71-06-06BSP4

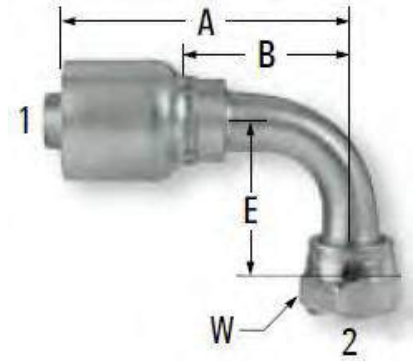
# DH71 Fittings

Crimp hose fittings for 4SP and SAE 100R12 Spiral Hose

## DH71 -BSP9

**FEMALE BSP SWIVEL - 90° ELBOW**

Ref.Parker 1B271

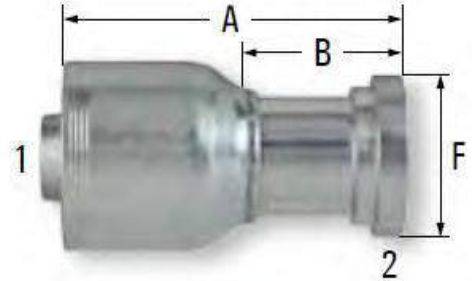


Part No.	1- Hose Bore			2- Thread	W- HEX	Dimensions		
	Size	Inch	DN			A(mm)	B(mm)	E(mm)
DH71-06-06BSP9	6	3/8"	10	G3/8"-19	22	70	42	
DH71-08-08BSP9	8	1/2"	12	G1/2"-14	27	71	38	
DH71-12-12BSP9	12	3/4"	20	G3/4"-14	36	102	61	
DH71-16-16BSP9	16	1"	25	G1"-11	41	128	81	
DH71-20-20BSP9	20	1.1/4"	32	G1.1/4"-11	50	140	93	

## DH71 -C61

**CODE 61 FLANGE**

Ref.Parker 11571



Part No.	1- Hose Bore			2- Code 61 Flange size	Dimensions		
	Size	Inch	DN		A(mm)	B(mm)	F(mm)
DH71-12-12C61	12	3/4"	20	3/4"	85	45	38.1
DH71-12-16C61	12	3/4"	20	3/4"	81	41	44.4
DH71-16-16C61	16	1"	25	1"	103	56	44.4
DH71-16-20C61	16	1"	25	1"	101	54	50.8
DH71-20-20C61	20	1.1/4"	32	1.1/4"	110	63	50.8
DH71-20-24C61	20	1.1/4"	32	1.1/4"	116	69	60.3
DH71-24-24C61	24	1.1/2"	40	1.1/2"	131	72	60.3
DH71-24-32C61	24	1.1/2"	40	1.1/2"	138	79	71.4
DH71-32-32C61	32	2"	50	2"	150	79	71.4

\*stainless steel

Add "SS" example: SS-DH71-12-12C61

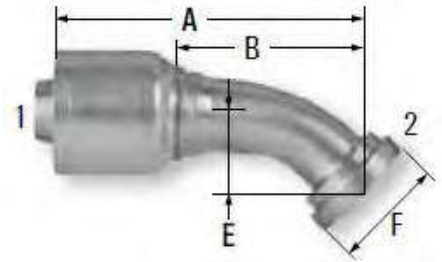
# DH71 Fittings

Crimp hose fittings for 4SP and SAE 100R12 Spiral Hose

## DH71 -C614

**CODE 61 FLANGE - 45° ELBOW**

Ref.Parker 11771

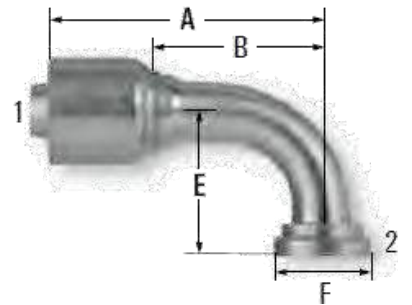


Part No.	1- Hose Bore			2- Flanges size	E (mm)	Dimensions		
	Size	Inch	DN			A(mm)	B(mm)	F(mm)
DH71-08-08C614	8	1/2"	12	1/2"		81	48	30.1
DH71-12-08C614	8	1/2"	12	3/4"		84	51	38.1
DH71-12-12C614	12	3/4"	20	3/4"		117	76	38.1
DH71-12-16C614	12	3/4"	20	1"		117	76	44.4
DH71-16-16C614	16	1"	25	1"		114	77	44.4
DH71-16-20C614	16	1"	25	1.1/4"		114	77	50.8
DH71-20-20C614	20	1.1/4"	32	1.1/4"		148	101	50.8
DH71-20-24C614	20	1.1/4"	32	1.1/2"		150	103	60.3
DH71-24-24C614	24	1.1/2"	40	1.1/2"		173	113	60.3
DH71-24-32C614	24	1.1/2"	40	2"		173	113	71.4
DH71-32-32C614	32	2"	50	2"		209	138	71.4

## DH71 -C619

**CODE 61 FLANGE - 90° ELBOW**

Ref.Parker 11971



Part No.	1- Hose Bore			2- Flanges size	E (mm)	Dimensions		
	Size	Inch	DN			A(mm)	B(mm)	F(mm)
DH71-08-08C619	8	1/2"	12	1/2"		71	38	30.1
DH71-12-08C619	8	1/2"	12	3/4"		71	38	38.1
DH71-12-12C619	12	3/4"	20	3/4"		102	61	38.1
DH71-12-16C619	12	3/4"	20	1"		102	61	44.4
DH71-16-16C619	16	1"	25	1"		128	81	44.4
DH71-16-20C619	16	1"	25	1.1/4"		128	81	50.8
DH71-20-20C619	20	1.1/4"	32	1.1/4"		140	93	50.8
DH71-20-24C619	20	1.1/4"	32	1.1/2"		140	93	60.3
DH71-24-24C619	24	1.1/2"	40	1.1/2"		151	91	60.3
DH71-24-32C619	24	1.1/2"	40	2"		151	91	71.4
DH71-32-32C619	32	2"	50	2"		206	135	71.4

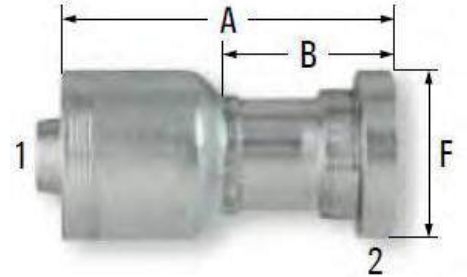
# DH71 Fittings

Crimp hose fittings for 4SP and SAE 100R12 Spiral Hose

## DH71 -C62

**CODE 62 FLANGE**

Ref.Parker 16A71

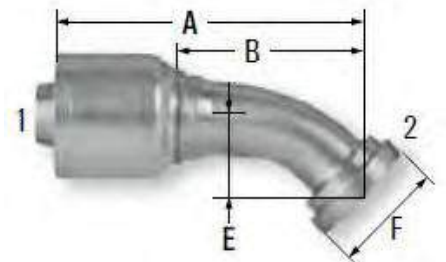


Part No.	1- Hose Bore			2- Code 62 Flange size	Dimensions		
	Size	Inch	DN		A(mm)	B(mm)	F(mm)
DH71-12-12C62	12	3/4"	20	3/4"	89	49	41.2
DH71-12-16C62	12	3/4"	20	1"	100	60	47.6
DH71-16-16C62	16	1"	25	1"	109	62	47.6
DH71-16-20C62	16	1"	25	1.1/4"	113	74	53.9
DH71-20-20C62	20	1.1/4"	32	1.1/4"	112	75	53.9
DH71-20-24C62	20	1.1/4"	32	1.1/2"	112	75	63.5
DH71-24-24C62	24	1.1/2"	40	1.1/2"	140	81	63.5
DH71-24-32C62	24	1.1/2"	40	2"	160	101	79.3
DH71-32-32C62	32	2"	50	2"	172	101	79.3

## DH71 -C624

**CODE 62 FLANGE -45° ELBOW**

Ref.Parker 16F71



Part No.	1- Hose Bore			2- Flange size	E (mm)	Dimensions		
	Size	Inch	DN			A(mm)	B(mm)	F(mm)
DH71-12-12C624	12	3/4"	20	3/4"		120	79	41.2
DH71-16-16C624	16	1"	25	1"		119	82	47.6
DH71-20-20C624	20	1.1/4"	32	1.1/4"		156	109	53.9
DH71-24-24C624	24	1.1/2"	40	1.1/2"		179	119	63.5
DH71-32-32C624	32	2"	50	2"		224	153	79.3

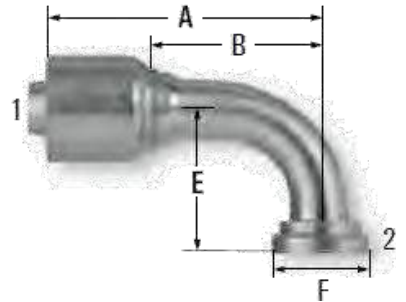
# DH71 Fittings

Crimp hose fittings for 4SP and SAE 100R12 Spiral Hose

## DH71 -C629

**CODE 62 FLANGE - 90° ELBOW**

Ref.Parker 16N71



Part No.	1- Hose Bore			2- Flanges size	E (mm)	Dimensions		
	Size	Inch	DN			A(mm)	B(mm)	F(mm)
DH71-12-12C629	12	3/4"	20	3/4"		101	79	41.2
DH71-16-16C629	16	1"	25	1"		126	82	47.6
DH71-20-20C629	20	1.1/4"	32	1.1/4"		140	109	53.9
DH71-24-24C629	24	1.1/2"	40	1.1/2"		151	119	63.5
DH71-32-32C629	32	2"	50	2"		206	153	79.3

## DH71 -MNL

**METRIC MALE O-RING 24° CONE DIN LIGHT**

Ref.Parker 1D071



Part No.	1- Hose Bore			2- Thread	TUBE O.D.	Dimensions		
	Size	Inch	DN			A(mm)	B(mm)	H (mm)
DH71-06-16MNL	6	3/8"	10	M16X1.5	10	51	23	17
DH71-06-18MNL	6	3/8"	10	M18X1.5	12	52	24	19
DH71-08-22MNL	8	1/2"	12	M22X1.5	15	57	26	22
DH71-10-26MNL	10	5/8"	16	M26X1.5	18	65	27	27
DH71-12-30MNL	12	3/4"	20	M30X2.0	22	69	29	30
DH71-16-36MNL	16	1"	25	M36X2.0	28	78	31	36
DH71-20-45MNL	20	1.1/4"	32	M45X2.0	35	88	41	46

# DH71 Fittings

Crimp hose fittings for 4SP and SAE 100R12 Spiral Hose

## DH71 -NL

**FEMALE O-RING 24° CONE - DIN LIGHT**

Ref.Parker 1CA71

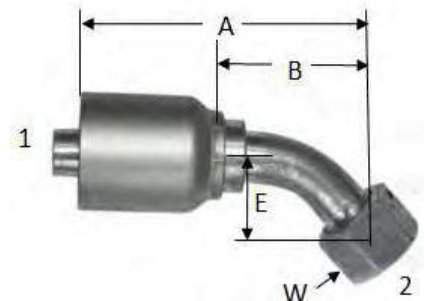


Part No.	1- Hose Bore			2- Thread	Tube O.D.	Dimensions		
	Size	Inch	DN			A(mm)	B(mm)	W(mm)
DH71-06-16NL	6	3/8"	10	M16X1.5	10	60	32	22
DH71-06-18NL	6	3/8"	10	M18X1.5	12	59	31	22
DH71-08-22NL	8	1/2"	12	M22X1.5	15	67	35	27
DH71-10-26NL	10	5/8"	16	M26X1.5	18	78	39	32
DH71-12-30NL	12	3/4"	20	M30X2.0	22	81	41	36
DH71-16-36NL	16	1"	25	M36X2.0	28	93	46	46
DH71-20-45NL	20	1.1/4"	32	M45X2.0	35	102	55	55

## DH71 -NL4

**FEMALE O-RING 24° CONE DIN LIGHT - 45° ELBOW**

Ref.Parker 1CE71



Part No.	1- Hose Bore		Tube O.D.	2- Thread	E(mm)	Dimensions		
	Size	Inch				A(mm)	B(mm)	W(mm)
DH71-06-16NL4	6	3/8"	10	M16X1.5		74	46	22
DH71-06-18NL4	6	3/8"	12	M18X1.5		74	46	22
DH71-08-22NL4	8	1/2"	15	M22X1.5		88	55	27
DH71-10-26NL4	10	5/8"	18	M26X1.5		103	63	32
DH71-12-26NL4	12	3/4"	18	M26X1.5		126	85	32
DH71-12-30NL4	12	3/4"	22	M30X2.0		124	83	36
DH71-12-36NL4	12	3/4"	28	M36X2.0		124	83	46
DH71-16-36NL4	16	1"	28	M36X2.0		131	84	46
DH71-20-45NL4	20	1.1/4"	35	M45X2.0		157	110	55
DH71-24-52NL4	24	1.1/2"	42	M52X2.0		180	120	55

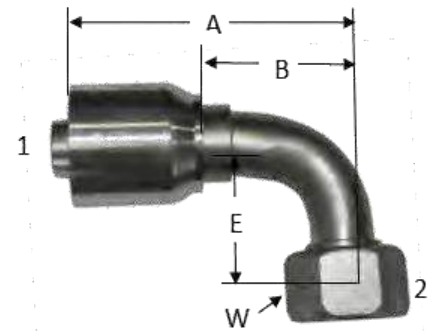
# DH71 Fittings

Crimp hose fittings for 4SP and SAE 100R12 Spiral Hose

## DH71 -NL9

**FEMALE METRIC 24° CONE DIN LIGHT- 90° ELBOW**

Ref.Parker 1CF71



Part No.	1- Hose Bore			TUBE O.D.	2- thread	W-NUT (mm)	Dimensions		
	Size	Inch	DN				A(mm)	B(mm)	E(mm)
DH71-06-16NL9	6	3/8"	10	10	M16X1.5	22	70	42	
DH71-06-18NL9	6	3/8"	10	12	M18X1.5	22	70	42	
DH71-08-22NL9	8	1/2"	12	15	M22X1.5	27	71	38	
DH71-10-26NL9	10	5/8"	16	18	M26X1.5	32	72	42	
DH71-12-26NL9	12	3/4"	20	18	M26X1.5	32	102	61	
DH71-12-30NL9	12	3/4"	20	22	M30X2.0	36	102	61	
DH71-12-36NL9	12	3/4"	20	28	M36X2.0	46	102	61	
DH71-16-36NL9	16	1"	25	28	M36X2.0	46	128	81	
DH71-20-45NL9	20	1.1/4"	32	35	M45X2.0	55	140	93	
DH71-24-52NL9	24	1.1/2"	40	42	M52X2.0	55	151	91	

## DH71 -MNS

**METRIC MALE O-RING 24° CONE DIN HEAVY**

Ref.Parker 1D271



Part No.	1- Hose Bore			TUBE O.D.	2- Thread	Dimensions			
	Size	Inch	DN			A(mm)	B(mm)	H (mm)	
DH71-06-18MNS	6	3/8"	10		M18X1.5	10	51	23	19
DH71-06-20MNS	6	3/8"	10		M20X1.5	12	51	23	22
DH71-06-22MNS	6	3/8"	10		M22X1.5	14	56	24	24
DH71-08-24MNS	8	1/2"	12		M24X1.5	16	57	25	27
DH71-10-30MNS	10	5/8"	16		M30X2.0	20	65	26	32
DH71-12-36MNS	12	3/4"	20		M36X2.0	25	69	29	36
DH71-16-42MNS	16	1"	25		M42X2.0	30	78	31	46
DH71-20-52MNS	20	1.1/4"	32		M52X2.0	38	88	41	55



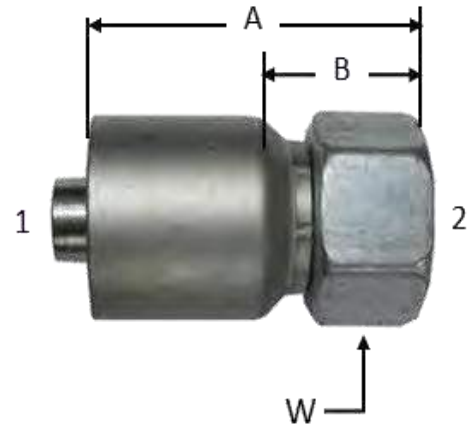
# DH71 Fittings

Crimp hose fittings for 4SP and SAE 100R12 Spiral Hose

## DH71 -NS

**FEMALE O-RING 24° CONE DIN HEAVY**

Ref.Parker 1C971



Part No.	1- Hose Bore			2- Thread	Tube O.D.	Dimensions		
	Size	Inch	DN			A(mm)	B(mm)	W(mm)
DH71-06-18NS	6	3/8"	10	M18X1.5	10	60	32	22
DH71-06-20NS	6	3/8"	10	M20X1.5	12	60	32	24
DH71-06-22NS	6	3/8"	10	M22X1.5	14	60	32	27
DH71-08-24NS	8	1/2"	12	M24X1.5	16	67	35	30
DH71-10-30NS	10	5/8"	16	M30X2.0	20	77	39	36
DH71-12-36NS	12	3/4"	20	M36X2.0	25	80	41	46
DH71-16-42NS	16	1"	25	M42X2.0	30	93	46	50
DH71-20-52NS	20	1.1/4"	32	M52X2.0	38	102	55	60
DH71-24-52NS	24	1.1/2"	40	M52X2.0	38	121	62	60

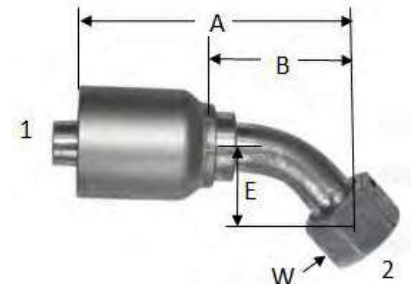
# DH71 Fittings

Crimp hose fittings for 4SP and SAE 100R12 Spiral Hose

## DH71 -NS4

**FEMALE METRIC 24° CONE DIN HEAVY- 45° ELBOW**

Ref.Parker 10C71

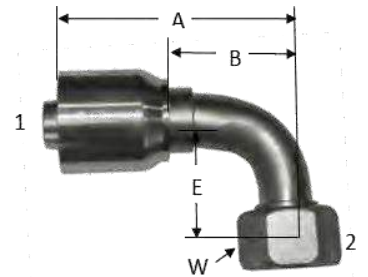


Part No.	1- Hose Bore			TUBE O.D.	2- thread	W-NUT (mm)	Dimensions		
	Size	Inch	DN				A(mm)	B(mm)	E(mm)
DH71-06-18NS4	6	3/8"	10	10	M18X1.5	22	76	48	
DH71-06-20NS4	6	3/8"	10	12	M20X1.5	24	76	48	
DH71-06-22NS4	6	3/8"	10	14	M22X1.5	27	76	48	
DH71-08-24NS4	8	1/2"	12	16	M24X1.5	30	90	57	
DH71-10-30NS4	10	5/8"	16	20	M30X2.0	36	101	61	
DH71-12-30NS4	12	3/4"	20	20	M30X2.0	36	124	83	
DH71-12-36NS4	12	3/4"	20	25	M36X2.0	46	125	84	
DH71-16-36NS4	16	1"	25	25	M36X2.0	46	132	85	
DH71-16-42NS4	16	1"	25	30	M42X2.0	50	132	85	
DH71-20-52NS4	20	1.1/4"	32	38	M52X2.0	60	158	111	
DH71-24-52NS4	24	1.1/2"	40	38	M52X2.0	60	179	119	

## DH71 -NS9

**FEMALE METRIC 24° CONE DIN HEAVY- 90° ELBOW**

Ref.Parker 11C71



Part No.	1- Hose Bore			TUBE O.D.	2- thread	W-NUT (mm)	Dimensions		
	Size	Inch	DN				A(mm)	B(mm)	E(mm)
DH71-06-18NS9	6	3/8"	10	10	M18X1.5	22	70	42	
DH71-06-20NS9	6	3/8"	10	12	M20X1.5	24	70	42	
DH71-06-22NS9	6	3/8"	10	14	M22X1.5	27	70	42	
DH71-08-24NS9	8	1/2"	12	16	M24X1.5	30	71	38	
DH71-10-30NS9	10	5/8"	16	20	M30X2.0	36	72	42	
DH71-12-30NS9	12	3/4"	20	20	M30X2.0	36	102	61	
DH71-12-36NS9	12	3/4"	20	25	M36X2.0	46	102	61	
DH71-16-36NS9	16	1"	25	25	M36X2.0	46	128	81	
DH71-16-42NS9	16	1"	25	30	M42X2.0	50	128	81	
DH71-20-52NS9	20	1.1/4"	32	38	M52X2.0	65	140	93	
DH71-24-52NS9	24	1.1/2"	40	38	M52X2.0	65	151	91	